

SLOAN®
FLUSHOMETERS AND GENUINE
REPLACEMENT PARTS



REGAL™
FLUSHOMETERS

W-R#	Sloan #	Model	GPF
SR902	110XL	Toilet	3.5
SR903	111XL	Toilet	1.6
SR904	186XL	Urinal	1.5

- All Regal™ -XL Flushometers are packaged with control stop and sweat stop conversion kit.



ROYAL™
FLUSHOMETERS

W-R#	Sloan #	Model	GPF
SR906	110	Toilet	3.5
SR907	111	Toilet	1.6
SR908	186	Urinal	1.5

- All Royal™ Flushometers are packaged with ADA approved handles and Triple Filter diaphragm.



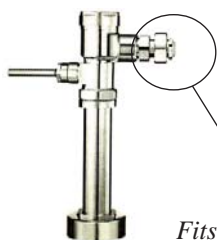
ROYAL™
BACK-OUTLET
FLUSHOMETERS

W-R#	Sloan #	Model	GPF
SR909	100	Toilet	3.5
SR911	100-1.6	Toilet	1.6



GEM II™
PISTON-ACTUATED
FLUSHOMETERS

W-R#	Sloan #	Model	GPF
SR912	110	Toilet	3.5
SR914	111	Toilet	1.6
SR916	186-1.0	Urinal	1.0



GEM II™
FLUSHOMETERS
W/ GROUND JOINT
CONNECTION

Fits Delany Control Stop

W-R#	Sloan #	Model	GPF
SR922	112 XD	Toilet	3.5
SR926	112 XD	Toilet	1.6

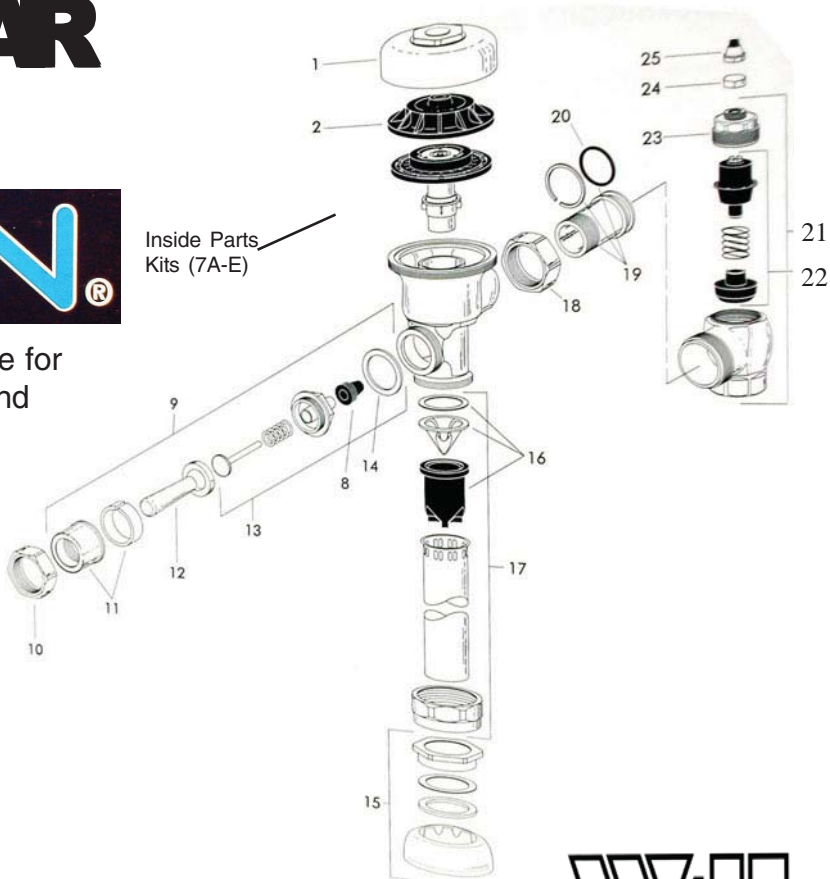


- Furnished without control stop
 - Ground Joint connection to fit Delany

GENUINE REPAIR PARTS FOR



Consider Wal-Rich as your #1 source for Genuine Sloan Regal Flushvalves and replacement parts.



W-R#	Description
1. SR121	CP Cover for Regal (R-10)
2. SR104	Inside Cover (A-71)
3A. SR006	White Relief Valve (A-19-AC)
3B. SR008	Black Relief Valve (A-19-AU)
3C. SR010	Green Relief Valve (A-19-ALC)
4. SR004	Molded Disc (A-15-A)
5. SR102	Sloan Diaphragm (A-156-A)
5A. SR101	Diaphragm w/Copper (A-56-A)
6A. SR110	Guide Assembly (A-163-A)
7A. SR202	Inside Parts Kit - 4.5 C (A-36-A)
7B. SR204	Inside Parts Kit - 1.5 U (A-37-A)
7C. SR206	Inside Parts Kit - 3.5 C (A-38-A)
7D. SR208	Inside Parts Kit - 1.6 C (A-41-A)
7E. SR210	Inside Parts Kit - 1.0 U (A-42-A)
8. SR108	Handle Seal (B-39)
9. SR002	Standard Handle Assy (B-32-A)
9A. SR122	Handicap Handle Assy (B-73)
10. SR118	CP Handle Cplg Nut (A-6)
13. SR106	Handle Repair Kit (B-50-A)
14. SR116	Handle Gasket Only (A-31)
*** SR700	Sloan Super Wrench (A-50)

W-R#	Description
15A. SR302	3/4" Spud Cplg Assy (F-54-A)
15B. SR308	1 1/4" Spud Cplg Assy (F-55-A)
15C. SR310	1 1/2" Spud Cplg Assy (F-56-A)
16. SR602	Sloan Vacuum Breaker (V-551-A)
17A. SR502	3/4" Vac. Breaker Tail (V-500-AA)
17B. SR504	1 1/4" Vac. Breaker Tail (V-500-AA)
17C. SR506	1 1/2" Vac. Breaker Tail (V-500-AA)
17D. SR129	CP Vacuum Breaker Nut (V-553-A)
18. SR128	Tailpiece Coupling Nut (H-550)
19. SR130	CP Adjustable Tail (H-551-A)
20. SR131	Stop Tailpiece O-Ring (H-553)
21A. SR812	3/4" Control Stop (H-740-A)
21B. SR814	1" Control Stop (H-740-A)
22A. SR138	1" Control Stop Rep Kit (H-541-A)
22B. SR144	3/4" Control Stop Rep Kit (H-543-A)
23A. SR134	1" Control Stop Bonnet (H-639)
23B. SR124	3/4" Control Stop Bonnet (H-538)
24. SR146	Control Stop Bonnet Cap (H-37)

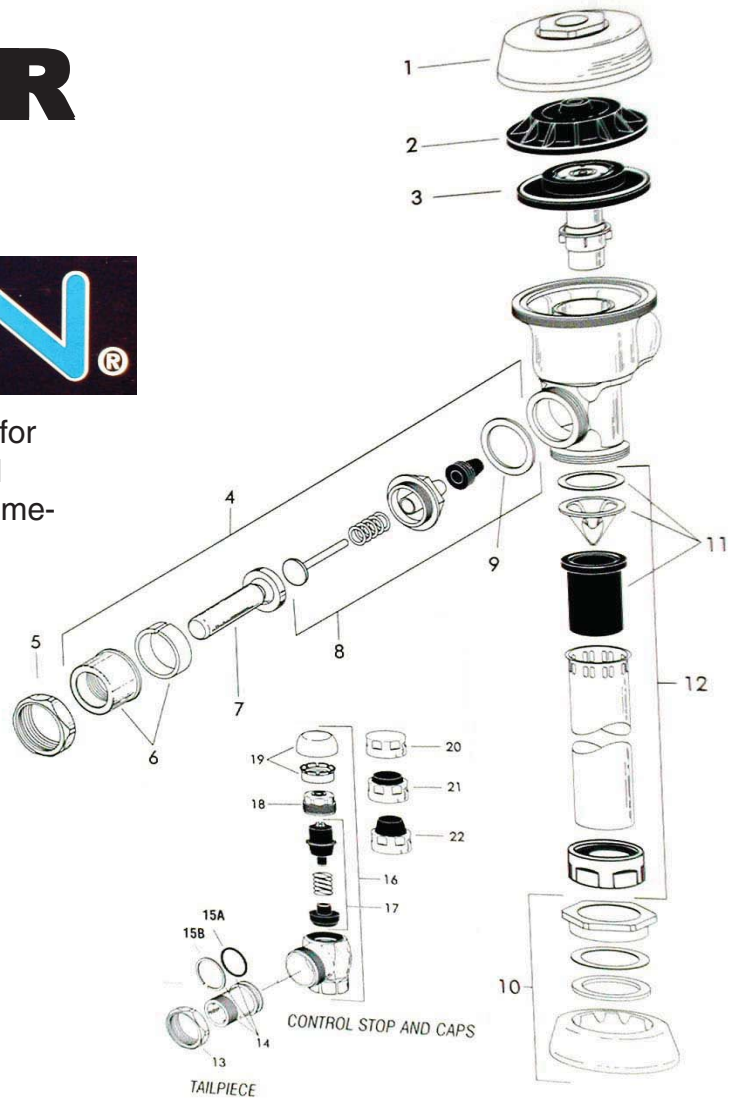
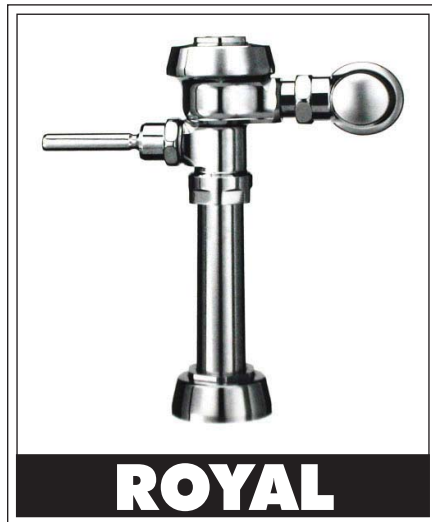
REGAL FLUSHOMETERS

- 1. **SR902** Regal 110XL Flushometer 3.5 C
- 2. **SR903** Regal 111XL Flushometer 1.6 C
- 3. **SR904** Regal 186XL Flushometer 1.5 U

GENUINE REPAIR PARTS FOR



Consider Wal-Rich as your #1 source for Genuine Sloan Royal Flushvalves and replacement parts. All available for immediate delivery.



W-R#	Description
1. SR120	CP Cover for Royal (A-72)
2. SR104	Inside Cover (A-71)
3A. SR222	Royal Drop-in Kit 1.5U (A-1037-A)
3B. SR224	Royal Drop-in Kit 3.5C (A-1038-A)
3C. SR226	Royal Drop-in 1.6 C (A-1041-A)
3D. SR228	Royal Drop-in 1.0 U (A-1042-A)
4. SR122	Handicap Handle Assy (B-73-A)
5. SR118	CP Handle Cplg Nut (A-6)
8. SR136	Triple-Seal Handle Rep Kit (B-51-A)
8A. SR108	Handle Seal (B-39)
9. SR116	Handle Gasket Only (A-31)
10A. SR304	3/4" Spud Coupling Assy (F-5-A)
10B. SR306	1 1/4" Spud Coupling Assy (F-5-A)
10C. SR312	1 1/2" Spud Coupling Assy (F-5-A)
11. SR604	Hi-Pressure Vac Breaker (V-651-A)
12A. SR502	3/4" Vac. Breaker Tail (V-500-AA)
12B. SR504	1 1/4" Vac. Breaker Tail (V-500-AA)
12C. SR506	1 1/2" Vac. Breaker Tail (V-500-AA)
12D. SR129	CP Vacuum Breaker Nut (V-553-A)
*** SR700	Sloan Super Wrench (A-50)

W-R#	Description
13. SR128	Tailpiece Coupling Nut (H-550)
14. SR130	CP Adjustable Tail (H-551-A)
15A. SR131	Stop Tailpiece O-Ring (H-553)
17A. SR138	1" Control Stop Rep Kit (H-541-A)
17B. SR144	3/4" Control Stop Rep Kit (H-543-A)
18A. SR126	1" Control Stop Bonnet (H-622)
18B. SR132	3/4" Control Stop Bonnet (H-577)
19A. SR140	1" Vandal-Proof Cap (H-1010-A)
19B. SR142	3/4" Vandal-Proof Cap (H-1009-A)
20A. SR112	1" Control Stop Cap (H-573)
20B. SR114	3/4" Control Stop Cap (H-582)

ROYAL FLUSHOMETERS

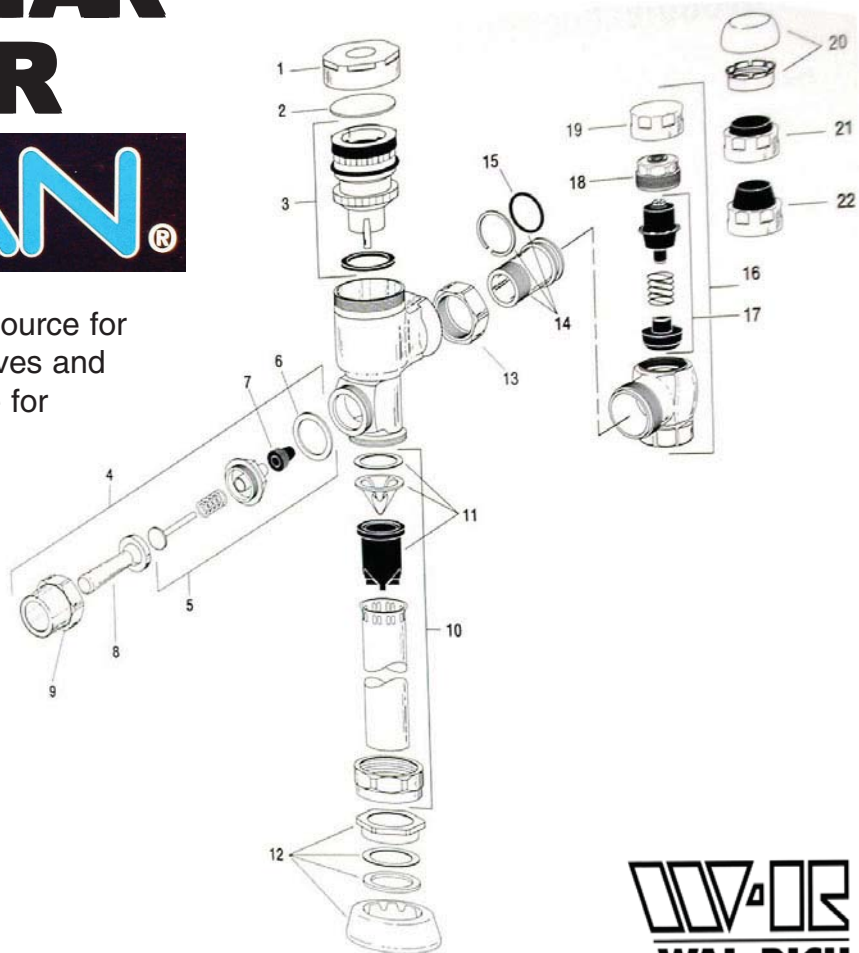
- 1. **SR906** Royal 110 Flushometer - Closet
- 2. **SR908** Royal 186 Flushometer - Urinal

The flushometers and repair parts shown on this page refer to the "Dual Filtered" Royal flushometers produced since January of 1998.

**GENUINE REPAIR
PARTS FOR**



Consider Wal-Rich as your #1 source for Genuine Sloan Gem II Flushvalves and replacement parts. All available for immediate delivery.



W-R#	Description
1. SR408	Gem CP Cover (G-105)
2. SR406	Gem Slip Disc (G-106)
3A. SR402	Piston for G-75 Urinal (G-1002-A)
3B. SR404	Piston for G-75 Closet (G-1003-A)
3C. SR414	Piston Kit - 3.5 Closet (G-1007-A)
3D. SR416	Piston Kit - 1.6 Closet (G-1016-A)
3E. SR412	Piston Kit - 1.5 Urinal (G-1009-A)
3F. SR410	Piston Kit - 1.0 Urinal (G-1017-A)
4. SR420	Gem Handle Assy (G-36-A)
5. SR422	Gem Handle Rep Kit (G-50-A)
6. SR418	Gem Handle Gasket (G-35)
7. SR108	Handle Seal (B-39)
10A. SR502	3/4" Vac. Breaker Tail (V-500-AA)
10B. SR504	1 1/4" Vac. Breaker Tail (V-500-AA)
10C. SR506	1 1/2" Vac. Breaker Tail (V-500-AA)
10D. SR129	CP Vacuum Breaker Nut (V-553-A)
11. SR602	Sloan Vacuum Breaker (V-551-A)
12A. SR304	3/4" Spud Coupling Assy (F-5-A)
12B. SR306	1 1/4" Spud Coupling Assy (F-5-A)
12C. SR312	1 1/2" Spud Coupling Assy (F-5-A)

*** **SR700** Sloan Super Wrench (A-50)

W-R#	Description
13. SR128	Tailpiece Coupling Nut (H-550)
14. SR130	CP Adjustable Tail (H-551-A)
15. SR131	Stop Tailpiece O-Ring (H-553)
17A. SR138	1" Control Stop Rep Kit (H-541-A)
17B. SR144	3/4" Control Stop Rep Kit (H-543-A)
18A. SR126	1" Control Stop Bonnet (H-622)
18B. SR132	3/4" Control Stop Bonnet (H-577)
19A. SR112	1" Control Stop Cap (H-573)
19B. SR114	3/4" Control Stop Cap (H-582)
20A. SR140	1" Vandal-Proof Cap (H-1010-A)
20B. SR142	3/4" Vandal-Proof Cap (H-1009-A)

GEM II FLUSHOMETERS

1. SR912	GEM II 110	Toilet	3.5
2. SR914	GEM II 111	Toilet	1.6
3. SR916	GEM II 186-1.0	Urinal	1.0



Make Wal-Rich your source for Genuine Sloan Flushometers and Repair Parts. All parts are manufactured in the USA by Sloan Valve Company.



CP COVER FOR REGAL & ROYAL

W-R#	Description	Sloan#
SR121	Regal CP Cover	R-10
SR120	Royal CP Cover	A-72



CP COVER FOR GEM II

W-R#	Description	Sloan#
SR408	Gem II CP Cover	G-105



INSIDE PLASTIC COVER

W-R#	Description	Sloan#
SR104	Inside Cover	A-71



PLASTIC SLIP DISC FOR GEM II

W-R#	Description	Sloan#
SR406	Gem Slip Disc	G-106



MOLDED DISC FOR REGAL/ROYAL FLUSHOMETER

W-R#	Description	Sloan#
SR004	Molded Disc	A-15A



DIAPHRAGM FOR REGAL FLUSHOMETERS

W-R#	Description	Sloan#
SR102	Diaphragm	A-156-A
SR101	Diaphragm w/Copper Ring	A-56-A
SR199	A-56-A & A-15A	A-56-AA



RELIEF VALVE FOR REGAL/ROYAL FLUSHOMETERS

W-R#	Description	Sloan#
SR006	White (Toilet)	A-19AC
SR008	Black (Urinal)	A-19AU
SR010	Green (1.6)	A-19ALC



GUIDE ASSEMBLY FOR REGAL/ROYAL FLUSHOMETERS

W-R#	Description	Sloan#
SR110	Guide Assembly	A-163A

**GENUINE SLOAN®
REPLACEMENT PARTS**



REGAL™ REBUILD KITS

W-R#	Description	Sloan#
SR202	4.5 GPF (Toilet)	A-36A
SR204	1.5 GPF (Urinal)	A-37A
SR206	3.5 GPF (Toilet)	A-38A
SR208	1.6 GPF (Toilet)	A-41A
SR210	1.0 GPF (Urinal)	A-42A



**ROYAL™ REBUILD KITS
WITH DUAL-FILTERED
DIAPHRAGM**

W-R#	Description	Sloan#
SR222	1.5 GPF (Urinal)	A-1037A
SR224	3.5 GPF (Toilet)	A-1038A
SR226	1.6 GPF (Toilet)	A-1041A
SR228	1.0 GPF (Urinal)	A-1042A



**OPTIMA-PLUS™ &
OPTIMA™ G2
REBUILD KITS**



W-R#	Description	Sloan#
SR950	Urinal Kit	EBV-1022-A
SR952	Closet Kit	EBV-1020-A



**GEM™ PISTON
ASSEMBLIES**

W-R#	Description	Sloan#
SR402	G-75 (Urinal)	G-1002-A
SR404	G-75 (Closet)	G-1003-A
SR414	3.5 GPF (Closet)	G-1007-A
SR416	1.6 GPF (Closet)	G-1016-A
SR412	1.5 GPF (Urinal)	G-1009-A
SR410	1.0 GPF (Urinal)	G-1017-A



**VACUUM BREAKER
INSERT FOR ROYAL/
REGAL™**

W-R#	Description	Sloan#
SR602	Insert	V-551A
SR604	Hi-Pressure Insert	V-651A

**GENUINE SLOAN®
REPLACEMENT PARTS**



**HANDLE ASSEMBLY
FOR ROYAL/REGAL/
GEM™**

W-R#	Description	Sloan#
SR002	Regal	B-32A
SR122	Royal	B-73
SR420	Gem	G-36A



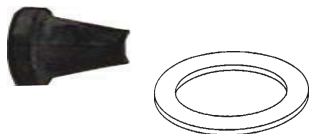
**HANDLE COUPLING
NUT FOR ROYAL/
REGAL™**

W-R#	Description	Sloan#
SR118	CP Nut	A-6



**HANDLE REPAIR KIT
FOR REGAL/ROYAL/
GEM™**

W-R#	Description	Sloan#
SR106	Regal	B-50A
SR136	Royal	B-51A
SR422	Gem	G-50A



**HANDLE GASKET &
SEAL FOR ROYAL/
REGAL™**

W-R#	Description	Sloan#
SR108	Handle Seal	B-39
SR116	Handle Gasket	A-31
SR418	Gem Handle Gasket	G-35



**VACUUM BREAKER
TAILPIECES**

W-R#	Description	Sloan#
SR502	3/4" x 9"	V-500-AA
SR504	1 1/4" x 9"	V-500-AA
SR508	1 1/4" x 15"	V-500-AA
SR510	1 1/4" x 22"	V-500-AA
SR506	1 1/2" x 9"	V-500-AA
SR512	1 1/2" x 15"	V-500-AA
SR514	1 1/2" x 22"	V-500-AA



**SPUD COUPLING
ASSEMBLIES**

W-R#	Description	Sloan#
SR302	3/4" Regal	F-54-A
SR304	3/4" Royal/Gem	F-5-A
SR306	1 1/4" Royal/Gem	F-5-A
SR308	1 1/4" Regal	F-55-A
SR310	1 1/2" Regal	F-56-A
SR312	1 1/2" Royal/Gem	F-5-A

**GENUINE SLOAN®
REPLACEMENT PARTS**



**CP VACUUM BREAKER
NUT FOR
ROYAL/REGAL/GEM**

W-R#	Description	Sloan#
SR129	CP Nut	V-553-A



**CP ADJUSTABLE TAIL
FOR ROYAL/REGAL/
GEM**

W-R#	Description	Sloan#
SR130	2 1/16" Tail	H-551-A
SR148	3 1/16" Tail	H-551-A
SR150	4 1/16" Tail	H-551-A



**CP TAILPIECE COUPLING
NUT FOR
ROYAL/REGAL/GEM**

W-R#	Description	Sloan#
SR128	CP Coupling Nut	H-550



**STOP TAILPIECE
O-RING FOR ROYAL/
REGAL/GEM**

W-R#	Description	Sloan#
SR131	O-Ring	H-553



**CONTROL STOP REPAIR
KIT FOR
ROYAL/REGAL/GEM**

W-R#	Description	Sloan#
SR138	1" Kit	H-541-A
SR144	3/4" Kit	H-543-A



**REGAL™
CONTROL STOPS**



W-R#	Description	Sloan #
SR812	3/4" Control Stop	H-790A-3/4
SR814	1" Control Stop	H-790A-1



**CONTROL STOP
BONNET CAP FOR
REGAL**

W-R#	Description	Sloan#
SR146	Regal Bonnet Cap	H-37



CP CONTROL STOP CAP

W-R#	Description	Sloan#
SR112	1" Cap	H-573
SR114	3/4" Cap	H-582



**CP VANDAL-PROOF
CONTROL STOP CAP**

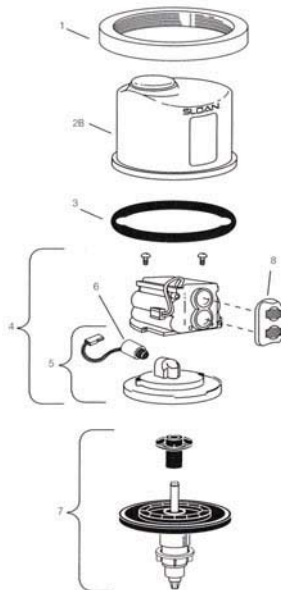
W-R#	Description	Sloan#
SR140	1" V.P. Cap	H-1010-A
SR142	3/4" V.P. Cap	H-1009-A

NEW!

**GENUINE SLOAN®
OPTIMA PRODUCTS**

**OPTIMA
plus®**

From 1992 - 2003



**OPTIMA
plus®**

From 1992 - 2003

Fig.#	W-R#	Sloan #	Description
-------	------	---------	-------------

- 4a. **SR964** EBV-146-AC Module-Closet
- 4b. **SR962** EBV-146-AU Module-Urinal
- 6. **SR960** EBV-144-A Solenoid
- 7a. **SR950** EBV-1022-A Urinal Kit
- 7b. **SR952** EBV-1020-A Closet Kit
- 11. **SR954** 5325056 O-Ring

- All Optima Plus® parts are furnished in original Sloan packaging

**G2 OPTIMA
plus®**

From 2003 - current



**G2 OPTIMA
plus®**

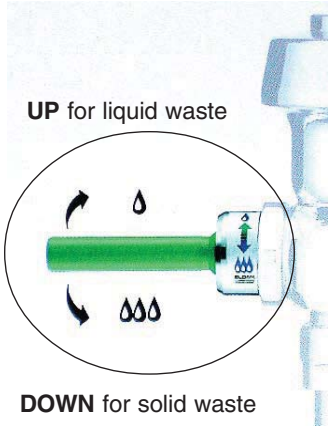
From 2003 - current

Fig.#	W-R#	Sloan #	Description
-------	------	---------	-------------

- 3. **SR946** EBV-130-A Override Button
- 6a. **SR940** EBV-129-AC Module-Closet
- 6b. **SR942** EBV-129-AU Module-Urinal
- 9. **SR944** EBV-136-A G2 Solenoid
- 10a. **SR950** EBV-1022-A Urinal Kit
- 10b. **SR952** EBV-1020-A Closet Kit
- 11. **SR954** 5325056 O-Ring

- All Optima G2® parts are furnished in original Sloan packaging

**GENUINE SLOAN®
CONSERVATION
PRODUCTS**



**UPPERCUT™
DUAL-FLUSH RETROFIT
HANDLE**



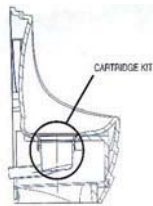
W-R#	Sloan #
------	---------

SR910 WES-212 "Uppercut" Handle

- Fits Regal and Royal low consumption flushometers
- "UP" position is 1.1 gpf
- "DOWN" position is 1.6 gpf
- Antimicrobial green coating
- Reduces water volume by 30%!



**WATERFREE URINAL
REPLACEMENT
CARTRIDGES**



W-R#	Sloan #
------	---------

SR920 WES-150 Cartridge

- Fits all Sloan and Falcon® waterfree urinals



**GENUINE SLOAN
"SUPER-WRENCH"®**

W-R#	Description	Sloan #
------	-------------	---------

SR700 Wrench A-50



**"SPUD BUDDY"
FLUSHOMETER SPUD
WRENCH**

W-R#	Description	Sloan #
------	-------------	---------

1851000 Fits H-551-A -



Used to adjust or remove flushometer tailpieces during rough-in or replacement.