



Made in the U.S.A.

TOILET SPECIALTIES



1330500

KORKY® FLAPPER BALLS

W-R#	Description	Lavelle#	Min
1330500	Korky®	54BP	12
1330502	Korky®Plus	2001BP	12
1330503	Korky®1.6	16BP	12
1330506	Korky®Adjustable	2004BP	12



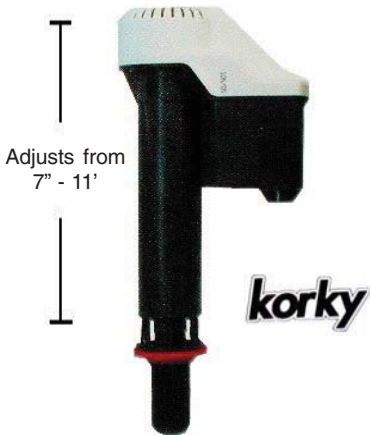
1330503



1330502



1330506



KORKY® QUIETFILL BALLCOCK

W-R#	Description	Lavelle#	Min
1330552	Korky®Quietfill	528	1

- Universal, adjustable fit
- Easy to install
- Chlorine resistant
- Quietest fill



TOILET SPECIALTIES



**TRIPLE-SEAL®
TANK BALLS**

W-R#	Description	Gunk#	Min
1330000	Triple Seal	B-251	1 dz.
1329500	3" Triple Seal	B-252	1 dz.
1329700	Sealmaster®	B-255	1 dz.



**SEALMASTER®
FLAPPERS**

W-R#	Description	Gunk#	Min
1330604	Sealmaster®	B-264V	1 dz.



**BLUE FLAPPER
TO FIT
AMERICAN STANDARD**

W-R#	Description	Min	Box
1331030	Blue Flapper	1	25

- Made from UHMW PE to be the most abrasion-resistant, chemically inert flapper on the market.
- Furnished with 9" stainless steel chain
- Fits OEM#47146-007



**FLAPPER WITH FLOAT
TO FIT AMERICAN
STANDARD**

W-R#	Description	Min	Box
1331016	With Float	1	25

- Black Rubber
- Fits OEM#738159-0070A



**FLAPPER TO FIT
AMERICAN STANDARD &
COAST 1.6**

W-R#	Description	Min	Box
1331014	With float	1	12

- Fits OEM#s: Am. Std.: 738071-0070A
Coast: 53356
Kohler: 81217



**3" FLAPPER TO FIT
AMERICAN STANDARD
CADET**



W-R#	Description	Min	Box
1331018	3" with chain	1	12

- Fits OEM#s: Am. Std.: 738920-0070A



FLAPPER TO FIT CRANE

W-R#	Description	Min	Box
1331010	With Slot	1	12

- Fits Drexel, Oxford, Neuday, & Criterion Tanks

TOILET SPECIALTIES



**FLAPPER TO FIT
ELJER "LOW-BOY"**

W-R#	Description	Min	Box
1331011	"Low Boy"	1	12

- Fits Eljer Patrician, Windsor, and Canterbury Aqualine low-boy toilets
- White plastic with styrofoam ball



**3" FLAPPERS TO FIT
KOHLER**



W-R#	Description	Min	Box
1331054	Fits Cimmarron	1	12
1331056	Fits Class-5	1	12



**FLAPPER TO FIT
KOHLER**

W-R#	Description	Min	Box
1331004	Black Rubber	1	12

- Fits OEM#49114



Styrofoam float

**FLAPPER TO FIT
KOHLER 1.6 GPF**

W-R#	Description	Min	Box
1331002	1.6 Flapper	1	12

- Black molded rubber with styrofoam ball
- Fits OEM#83064



**NEW-STYLE FLAPPER
TO FIT KOHLER
RIALTO®**

W-R#	Description	Min	Box
1331050	Fits N/S Rialto®	1	12

- Red Chemical resistant rubber
- Furnished with 9" stainless steel chain
- Fits OEM#CSP5170



**NEW-STYLE FLAPPER
TO FIT KOHLER
AQUALINE®**

W-R#	Description	Min	Box
1331052	Fits Aqualine®	1	12

- Red Chemical resistant rubber
- Furnished with 9" stainless steel chain
- Fits OEM#84314

TOILET SPECIALTIES



**FLAPPER TO FIT TOTO
"POWER GRAVITY"
TOILETS**

W-R#	Description	Min.	Box
1331070	Blue Flapper	1	12
- Fits OEM#THU140S			



**FLAPPER TO FIT TOTO
"G-MAX" TOILETS**

W-R#	Description	Min.	Box
1331072	Red Flapper	1	12
- Fits OEM#THU138S			



**TEAL PREMIUM SILICON
FLAPPER**



W-R#	Description	Min.	Box
1331012	Premium	1	25
- 100% silicone rubber for chlorine and abrasion resistance.			



**"CROWN" ORANGE
SILICON FLAPPER**

W-R#	Description	Min.	Box
1331025	Orange Silicon	1	25
- 100% Silicon rubber is resistant to most chemicals and cleansers			



**CLEAR VINYL FLAPPER
WITH "TIME-TIPS"**

W-R#	Description	Min.	Box
1331035	"Time Tips"	1	12
- Clear vinyl is chemically resistant			
- Furnished with 5 "time-tips" to accommodate a variety of flush rates.			



CLEAR VINYL FLAPPER

W-R#	Description	Min.	Box
1331040	Clear Vinyl	1	12
- One of the top-performing flappers in chemical resistance tests.			
- 3 way design fits most flushvalves			



**BLACK FLAPPER TO FIT
PLASTIC DOUGLAS
VALVE**

W-R#	Description	Min.	Box
1331009		1	25

TOILET SPECIALTIES



**WAL-RICH
ECONOMY FLAPPERS**

W-R#	Description	Min.	Box
1331006	Black Vinyl	1	100
1331008	Black Rubber	1	100



**WAL-RICH
NON-JIGGLE TANK
BALLS**

W-R#	Description	Min.	Box
1329002	Non-Jiggle	1 dz	-



**WAL-RICH
FIT-ALL TANK BALLS**

W-R#	Description	Min.	Box
1330002	Fit-all	1 dz	-



**WAL-RICH
ELJER-STYLE TANK
BALLS**

W-R#	Description	Min.	Box
1330004	Fits Eljer	1 dz	-



**WAL-RICH
TRIPLEX TANK BALLS**

W-R#	Description	Min.	Box
1330006	Triplex	1 dz	-
1330008	3" Triplex	1 dz	-



LIFT WIRES

W-R#	Description	Min.	Box
1319002	8" Upper	25	25
1320002	4½" Lower	25	25
1320004	5" Lower	25	25
1320006	5½" Lower	25	25

TOILET SPECIALTIES



CLEVIS GUIDES

W-R#	Description	Min.	Box
1315002	Clevis Guide	1	12



CROWN GUIDES

W-R#	Description	Min.	Box
1312002	Crown Guide	1	12



SOLID GUIDES

W-R#	Description	Min.	Box
1314002	Solid Guides	1	12



FITALL GUIDES

W-R#	Description	Min.	Box
1311002	Fitall Guides	1	12



ELJER GUIDES

W-R#	Description	Min.	Box
1316004	Eljer Guides	1	12



BRASS OVERFLOW TUBES

W-R#	Connection	Length	Gauge
1323002	1" x 1 ¹ / ₈ "	10"	22 ga
1323004	1" x 1 ¹ / ₈ "	10"	17 ga
1323010	1"	10"	22 ga
1323012	1"	10"	17 ga



BRASS DOUGLAS FLUSHVALVE

W-R#	Description	Min.	Box
1301004	Imported	1	12

TOILET SPECIALTIES



**PLASTIC DOUGLAS
FLUSHVALVE**

W-R#	Description	Min.	Box
1301008	With Flapper	1	50



**BEVELED FLUSHVALVE
WASHER**

W-R#	Description	Min.	Box
2718001	Sponge	12	12
2718002	Rubber	12	12

- 3" O.D. x 2³/₈" I.D. x 3/8" High



**SEAL TO FIT
AMERICAN STANDARD
"CHAMPION"**



W-R#	Description	Min.	Box
2718010	Fits Champion	1	12
2718012	Fits Champion 3	1	12



**#4 FLUSHVALVE
FOR AMERICAN
STANDARD**

W-R#	Description	Min.	Box
1304016	New Style #4	1	-

- Replaces American Standard #47107-007A
- Includes disc, chain, & clip



W-R#	Description	Min.	Box
1304018	#4	1	-

- Furnished brass seat, lugs & screws. Replaces American Standard #47086-07



**#5 & #6 FLUSHVALVES
FOR AMERICAN
STANDARD**

W-R#	Description	Min.	Box
1304020	#5	1	-

- Replaces American Standard #47089-07

W-R#	Description	Min.	Box
1304022	Old Style #6	1	-

- Replaces American Standard #47049-07



**CHAIN KIT TO FIT
AMERICAN STANDARD
FLUSHVALVES**

W-R#	Description	Min.	Box
1304010	Chain Kit	6	24

- Includes chain, clip & rubber grommet
- Individually bagged

TOILET SPECIALTIES



#4 ACTUATOR

W-R#	Description	Min.	Box
1304040	#4 Actuator only 1		-
- Replaces American Standard #147086			



#5 ACTUATOR

W-R#	Description	Min.	Box
1304042	#5 Actuator only 1		-
- Replaces American Standard #173380			



#6 ACTUATOR

W-R#	Description	Min.	Box
1304044	#6 Actuator only 1		-
- Replaces American Standard #72880.07			



REPLACEMENT FOR AMERICAN STANDARD SEAT DISC

W-R#	Description	Min.	Box
1361002	Screw On	1	12
1362004	Snap On	1	12
1362006	Combination Snap/Screw	1	12



FLUSHVALVE TO FIT MANSFIELD 210

W-R#	Description	Min.	Box
1360100	Fits #210	1	12
- For 3.5 Gallon Tanks			
- 10 3/4" Length			



FLUSHVALVE TO FIT MANSFIELD 211

W-R#	Description	Min.	Box
1360102	Fits #211	1	12
- For 1.6 Gallon Tanks			
- 10 3/4" Length			

TOILET SPECIALTIES



**SEAL TO FIT
MANSFIELD 209
FLUSHVALVES**

W-R#	Description	Min.	Box
1304524	Seal	6	24

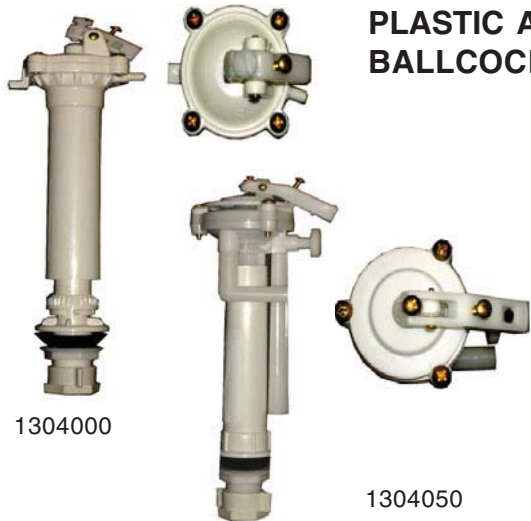
- OEM#208/209



**SEAL TO FIT
MANSFIELD 210
FLUSHVALVES**

W-R#	Description	Min.	Box
1304525	Seal	6	24

- OEM#210/211



**PLASTIC ADJUSTABLE
BALLCOCKS**

W-R#	Description	Min.	Box
1304000	Fits Hoover A-62	1	12

- 9 1/2" - 13" Height Adjustment
- Antisiphon
- 4 Screw Cap



W-R#	Description	Min.	Box
1304050	Fits Coast 1B1X	1	12

- 9 1/2" - 13" Height Adjustment
- Antisiphon
- 3 Screw Cap



**BALLCOCK
SHANK WASHER**

W-R#	Description	Min.	Box
2721002	Shank Washer	1	24



BALLCOCK NUTS



W-R#	Description	Min.	Box
0913002	Brass Coupling	1	25
0913004	Die Cast Cplg	1	25
0913006	PVC Coupling	1	25
0911002	Die Cast Locknut	1	25



FILLPRO BALLCOCK

W-R#	Description	Min.	Box
1304002	Fillpro	1	25

- Non corrosive, no float or rod needed. Built-in filter screen saves water and replaces old fashioned ballcocks.



**REPLACEMENT
BALLCOCK TO FIT
KOHLER RIALTO**

W-R#	Description	Min.	Box
1305500	Kit for Rialto	1	6

- Complete kit includes fill valve, floats, refill tubing, and caps.
- Replaces Kohler OEM# 84499

TOILET SPECIALTIES



Fluidmaster.

**400A FLUIDMASTER®
BALLCOCK**

W-R#	Description	Min.	Box
1360004	#400A	1	25



Fluidmaster.

**FLUIDMASTER® #555
FLUSHER FIXER KIT**

W-R#	Description	Min.	Box
1360006	#555	1	12

- Easy to install. Corrosion free.
- This non-corroding stainless steel seat and captive flapper gives you perfect shutoffs every time.



Fluidmaster.

**FLUIDMASTER® #242
KIT**

W-R#	Description	Min.	Box
1360008	#242 Kit	1	12
1360009	W-R Kit fits 242	1	25



PLASTIC FLOAT

W-R#	Description	Min.	Box
1332002	4" Float	1	100

**BRASS BALLCOCK
RODS**



W-R#	Description	Min.	Box
1321002	8"	1	12
1321004	9"	1	12
1321006	10"	1	12
1321008	12"	1	12

REFILL TUBES



W-R#	Description	Min.	Box
1322002	9" Brass	1	12
1322006	9" Plastic w/clip	1	12

**"FEATHER" GASKET
TO FIT
AMERICAN STANDARD**



W-R#	Description	Min.	Box
2718004	Gasket	1	24

- 2 3/8"OD x 1 5/8"ID x 3/8" High

TOILET SPECIALTIES



BALLCOCK PLUNGER FOR AMERICAN STANDARD

W-R#	Description	Min.	Box
1304510	Plunger	1	12

- For Series B1939-N3010



REPAIR KIT FOR SERIES N-3055 AMERICAN STANDARD

W-R#	Description	Min.	Box
1304502	Repair Kit	1	12

- Repair Kit Contains Grommet, Stop, and Seal



BALLCOCK WASHER TO FIT SERIES N-3025 AMERICAN STANDARD

W-R#	Description	Min.	Box
1304513	Washer	1	12



BALLCOCK REPAIR KITS TO FIT AMERICAN STANDARD

W-R#	Description	Min.	Box
1304512	Repair Kit	1	12

- Fits Am. Std. N-3015 & 3025 Ballcocks
- O-Ring Style



1304532

BALLCOCK TOP ASSEMBLIES

W-R#	Description	Type	Box
1304532	1B1X (Rialto)	3-screw	12
1304536	Hoovr-Line	4-screw	12



1304536



BALLCOCK PLUNGER REPAIR KITS

W-R#	Description	Screws	Box
1304506	1B1X (Rialto)	3	12
1304508	Hoovr-Line	4	12

TOILET SPECIALTIES



STRAP & SEAL TO FIT UNIVERSAL-RUNDLE & SEARS

W-R#	Description	Min.	Box
1304526	Seal & Strap	1	12



CHROME-PLATED "CROWN" TANK LEVER

W-R#	Description	Arm	Min.	Box
1318002	Domestic	Flat	1	100
1318004	Imported	Flat	1	100

- 8 1/4" Flat Brass Arm with score line for easy trimming to American Standard size



CHROME-PLATED OFFSET "CROWN" TANK LEVER

W-R#	Description	Arm	Min.	Box
1318015	Offset	Flat	1	25

- 8 1/4" Offset Flat Brass arm with score lines.
- Metal Spud & Nut



CHROME-PLATED INDEX BRASS ARM TANK LEVER

W-R#	Description	Arm	Min.	Box
1318000	Domestic	Round	1	100

- 8 1/4" Round Brass Arm
- Metal Spud & Nut
- Individually boxed



"ACCENT" SINGLE ACTION TANK LEVER

W-R#	Finish	Arm	Spud/Nut	Min.	Box
1317002	CP	Zinc	Zinc	1	100
1317004	CP	BP	Zinc	1	100
1317006	PB	BP	Zinc	1	100
1317010	CP	BP	Plastic	1	100

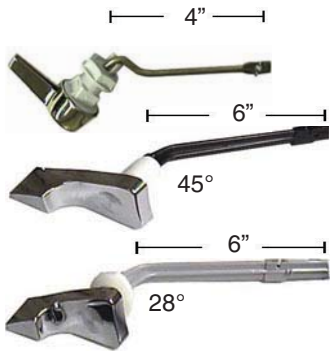
- Our most economical tank lever
- Domestic (1317002) is individually boxed, import is bagged.



STRAIGHT TANK LEVERS TO FIT AMERICAN STANDARD

W-R#	Size/Finish	Arm	Min.	Box
1318006	4" CP	ABS	1	25
1318042	6" CP	ABS	1	25
1318019	6" CP	Brass	1	25
1318028	8" CP	ABS	1	25
1318140	4" White	ABS	1	25
1318142	6" White	ABS	1	25
1318144	8" White	ABS	1	25

TOILET SPECIALTIES



**ANGLE
TANK LEVERS TO FIT
AMERICAN STANDARD**

W-R#	Size/Angle/Finish	Arm	Min	Box
1318018	4"	CP Brass	1	25
1318050	6" (45°)	CP ABS	1	25
1318052	6" (28°)	CP ABS	1	25
1318150	6" (45°) White	ABS	1	25
1318152	6" (28°) White	ABS	1	25



**CHROME-PLATED
PUSH BUTTON
TANK LEVERS**

W-R#	Description	Min.	Box
1318008	Side Mount	1	12
1318010	Front Mount	1	12



**CHROME-PLATED
SIDE MOUNT TANK
LEVERS**

W-R#	Description	Min.	Box
1318026	Fits Eljer	1	25
1318070	Fits Toto	1	25

• Brass Arm, plastic spud & nut



**"TOUCH-FLUSH" KIT TO
FIT ELJER**

W-R#	Description	Min.	Box
1331020	Touch-Flush Kit	1	50

• Includes 4 Piece flush lever, replacement tank ball, and all necessary mounting hardware



**CAST BRASS TANK
LEVER FOR KOHLER
CHAMPLAIN**

W-R#	Description	Min.	Box
1318032	Offset Lever	1	24

- Fits OEM #51394



**CAST BRASS TANK
LEVER FOR KOHLER
WELLWORTH**

W-R#	Description	Min.	Box
1318034	Cast brass lever	1	24

- Fits OEM #500189



**CHROME-PLATED TANK
LEVER TO FIT KOHLER
RIALTO**

W-R#	Description	Min.	Box
1318033	90° Arm	1	24

- Fits OEM#81609

TOILET SPECIALTIES



**CHROME-PLATED
TANK LEVER FOR
KOHLER WELLWORTH
& BARRINGTON**

W-R#	Description	Min.	Box
1318030	ABS Lever	1	24

- For side-mount Wellworth models
- Fits OEM#30324



**CHROME-PLATED
TANK LEVER FOR
MANSFIELD #42**

W-R#	Description	Min.	Box
1318022	Brass Arm	1	24
1318023	Blue Plastic Arm	1	24



Recessed

**TANK-TO-BOWL
GASKETS**



W-R#	Description	Dimensions (OD x
2717002	Regular	3 5/16" x 2 3/8" x 3/4"
2717004	Gerber	3 1/4" x 2 1/8" x 1 3/16"
* 2717006	Am. Std.	3 1/2" x 2 1/8" x 1 3/16"
2717007	Eljer (with ears)	
2717008	Eljer	3 1/8" x 2 1/4" x 3/8"
2717010	Kohler	4 3/16" x 2 3/8" x 3/4"
2717011	"U" Gasket	
2717013	Kohler Triangle Gasket	
* 2717014	Gerber	3 3/4" x 2 3/16" x 1 3/16"

* Recessed Gasket



TANK-TO-BOWL BOLTS

BULK PACKED

W-R#	Bolt/Nuts/Washers	Min.	Box
1338002	Brass/Steel/Steel	100	100
1338004	Steel/Steel/Steel	100	100

PAIR PER BAG

W-R#	Bolts/Nuts/Washers	Min.	Box
1338000	Brass/Brass/Brass	1 pr.	25
1338006	Brass/Steel/Steel	1 pr.	25
1338008	Steel/Steel/Steel	1 pr.	25

- All tank-to-bowl bolts are furnished with wing nuts, hex nuts, metal washers, and rubber washers



**RUBBER WASHER TO
FIT TANK-TO-BOWL
BOLTS**

W-R#	Description	Min.	Box
2714004	7/8"OD x 1/4"ID	25	25

TOILET SPECIALTIES



ADJUSTABLE TANK TO BOWL BOLTS

W-R#	Description	Min.	Box
1335002	Adjustable	1 pr.	25

• A patented adjustable close coupled bolt used to connect different makes of tanks and bowls where holes are not centered.



TANK-TO-BOWL KITS

ALL-BRASS KITS (PREMIUM)

W-R#	Description	Min.	Box
1359500	Universal	1	24
1359502	Gerber	1	24
1359504	Am. Std.	1	24
1359508	Mansfield	1	24
1359510	Kohler	1	24

BRASS BOLTS/ STEEL WASHERS (STANDARD)

W-R#	Description	Min.	Box
1359002	Universal	1	24
1359004	Gerber	1	24
1359006	Am. Std.	1	24
1359000	Kohler	1	24
1359007	Eljer	1	24
1359009	A/S Cadet1	24	
1359010	Mansfield	1	24

STEEL BOLTS/ STEEL WASHERS (ECONOMY)

W-R#	Description	Min.	Box
1359524	Universal	1	24
1359520	Gerber	1	24
1359522	Am. Std.	1	24



NYLON TOILET SEAT BOLT, NUT, & WASHER

W-R#	Description	Min.	Box
1365002	5/16"	1 pr.	24

TOILET SPECIALTIES



1349002



1350002



1351002



1352002



1353002

BRASS CLOSET FLANGES

W-R#	Description	Min.	Box
1349002	Regular	1	50
1350002	Deep	1	50
1351002	For 3" D.W.V. copper	1	25
1352002	4 x 3 Flange for lead	1	25
1353002	Offset for 4" lead	1	25



CAST IRON "QUICK-SET" CLOSET FLANGES

W-R#	Description	Min.	Box
1353004	4" x 2"	1	200
1353006	3" x 2"	1	200
1353008	4" X 3"	1	200
1353010	4" X 4"	1	200

- Stainless Steel Bolts and Washers



PVC CLOSET FLANGES



W-R#	Description	Min.	Box
1346002	3" x 4"	1	20
1346006	3" Inside PVC	1	20
1346010	3" Spigot Fit	1	20



PVC CLOSET FLANGES WITH METAL SWIVEL RING



W-R#	Description	Min.	Box
1346004	3" x 4"	1	20
1346008	3" Inside PVC	1	20
1346012	3" Spigot Fit	1	20

TOILET SPECIALTIES



**PVC "PUSH-2-SET"
CLOSET FLANGE**



W-R#	Description	Min.	Box
1346090	3"	1	6
1346092	4"	1	6

- Ribbed gasket fits inside Schedule 40 PVC



**PVC OFFSET CLOSET
FLANGE**



W-R#	Description	Min.	Box
1346052	3" x 4" Offset	1	6



**PVC 45° OFFSET
CLOSET FLANGE
W/METAL RING**



W-R#	Description	Min.	Box
1346080	3" x 4" 45°	1	6



**SOFT-PLASTIC
SHIMS**

W-R#	Description	Min.	Box
1305006	Soft Shims	25	25

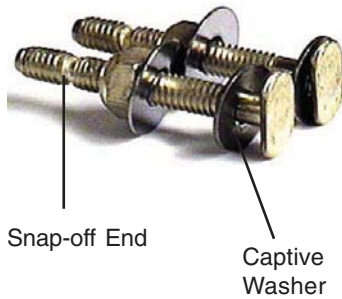


**BRASS CLOSET
SCREWS**

W-R#	Description	Min.	Box
1339012	5/16" x 2½"	25	100
1339010	1/4" x 3½"	25	100

• With Heavy Chrome Plated Nuts & Steel washers

FLANGE BOLTS & SCREWS



**E-Z FIX
“SNAP-OFF” STYLE
CLOSET FLANGE BOLTS
(PAIR/BAG)**

W-R#	Size	Bolt / Nut
1346506	1/4" x 2 1/4"	BP/BP
1346504	1/4" x 2 1/4"	Brass/BP
1346500	1/4" x 2 1/4"	All-Brass
1346406	5/16" x 2 1/4"	BP/BP
1346404	5/16" x 2 1/4"	Brass/BP
1346400	5/16" x 2 1/4"	All-Brass

- Closet Flange bolts are 25 pairs per bag
- Round washers



**CLOSET FLANGE BOLTS
(PAIR/BAG)**

W-R#	Size	Bolt / Nut
1344006	1/4" x 2 1/4"	BP/BP
1336020	1/4" x 2 1/4"	Brass/BP
1344010	1/4" x 3 1/2"	BP/BP
1343010	1/4" x 3 1/2"	Brass/BP
1344012	5/16" x 2 1/4"	BP/BP
1343012	5/16" x 2 1/4"	Brass/BP
1344014	5/16" x 3 1/2"	BP/BP
1343016	5/16" x 3 1/2"	Brass/BP

- Closet Flange bolts are 25 pairs per bag
- Round washers



**CLOSET FLANGE BOLTS
(BULK PACKED)
(100 PER BOX)**

W-R#	Size	Bolt / Nut
1344008	1/4" x 2 1/4"	BP/BP
1336030	1/4" x 2 1/4"	Brass/BP
1336019	1/4" x 3 1/2"	Brass/BP
1337014	5/16" x 2 1/4"	BP/BP
1336015	5/16" x 2 1/4"	Brass/BP
1336016	5/16" x 3 1/2"	Brass/BP

- Closet Flange Bolts are bulk packed, 100 per box
- Round washers

TOILET SPECIALTIES



WAX CLOSET FLANGE GASKETS

For wall-hung toilets



W-R#	Description	Min.	Box
1357002	Wax Gasket	1	48
1358002	Deep w/Horn	1	24
1358202	Felt-Reinforced	1	24
1356002	Sponge Rubber (5 3/8" x 3 1/2" x 3/4")	1	24
1358602	Wax-Dipped Felt Gasket	1	12
1358500	2" Wax Urinal	1	12



THE "CLAM FLANGE"



2-piece design!



W-R#	Description	Min.	Box
1354500	The Clam	1	12

The "Clam Flange" is a premium repair product preferred by professionals!

Manufactured from **extra-thick, rust-resistant 409 stainless**, the Clam Flange's 2-piece design snaps around *AND UNDER* the existing PVC collar--providing excellent structural support! **Made in USA.**



"CROWN-360" FLANGE REPAIR RING

W-R#	Description	Min.	Box
1354300	"Crown-360"	1	12

- Hinged Flange Repair Ring



TOILET FLANGE REPAIR KIT

W-R#	Description	Min.	Box
1353600	Repair Kit	1	24

- Includes screws & washers
- Repairs flange & mounts to floor

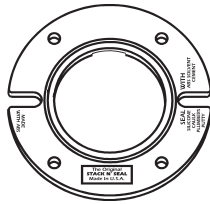


W-R SPAN-IT FLANGE

W-R#	Description	Min.	Box
1354002	Span-it flange	1	24

• Repairs broken closet flanges

TOILET SPECIALTIES

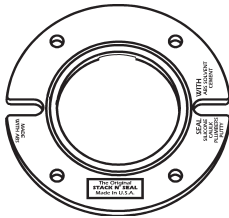


CLOSET FLANGE EXTENSION KIT

W-R#	Description	Min.	Box
------	-------------	------	-----

1353602	1/4" Kit (3 per)	1	12
----------------	------------------	---	----

- 3 per bag
 - Includes 1 pr. 5/16" x 3 1/2" BP Bolts



STACKABLE CLOSET FLANGE EXTENDERS

W-R#	Description	Min.	Box
------	-------------	------	-----

1353604	1/2" thick	1	12
A000352	1/4" thick	1	12

- White ABS

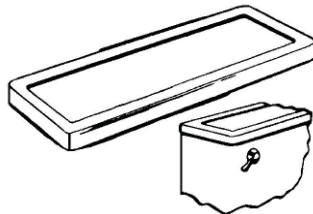


"BIGFOOT" TOILET BASE PLATE

W-R#	Description	Min.	Box
------	-------------	------	-----

1305004	"Bigfoot"	1	6
----------------	-----------	---	---

- Plastic toilet trim kit, used to cover the "footprint" caused by replacing toilets. One piece construction fits most new toilets.

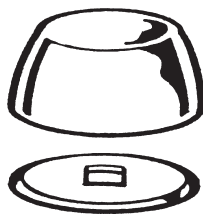


FITALL TANK COVER

W-R#	Description	Min.	Box
------	-------------	------	-----

1354200	Fitall Cover	1	6
----------------	--------------	---	---

- White high impact plastic.
 - 8²¹/₃₂" x 22²⁵/₃₂"



WHITE PLASTIC BOLT CAP

W-R#	Style	Min.	Box
------	-------	------	-----

1348002	Molded Prongs	Ea	25
1348003	With Clip	PR	25



PLASTIC TOILET PAPER ROLLER

W-R#	Description	Min.	Box
------	-------------	------	-----

1363002	White Plastic	25	50
----------------	---------------	----	----



METAL WALL-HUNG TOILET CARRIER CAPS

W-R#	Description	Min.	Box
------	-------------	------	-----

2405002	4 Nuts/Washers	1 pr.	12
----------------	----------------	-------	----

TOILET SPECIALTIES



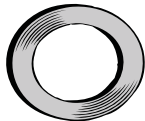
**BRASS CLOSET SPUD
(WITH WASHER)**

W-R#	Description	Min.	Box
1309016	1" x 3/4"	1	25
1309014	1 1/4" x 3/4"	1	25
1309012	1 1/4" x 1 1/4"	1	25
1309010	1 1/2" x 1 1/4"	1	25
1309008	1 1/2" x 1 1/2"	1	25
1309006	2" x 1 1/4"	1	25
1309004	2" x 1 1/2"	1	25
1309002	2" x 2"	1	25



**CLOSET SPUD
LOCKNUTS**

Size	Die Cast	Brass	Min.	Box
1 1/4"	-	0908008	1	25
1 1/2"	0908004	0908010	1	25
2"	0908006	0908012	1	25



**GALVANIZED
FRICTION RING**

W-R#	Description	Min.	Box
2710502	1 1/2"	12	12
2710504	2"	12	12



**FLANGED
SPUD WASHER**

W-R#	Description	Min.	Box
2710002	1" x 3/4"	12	12
2710004	1 1/4"	12	12
2710006	1 1/2"	12	12
2710008	2"	12	12
2710010	2" x 1 1/4"	12	12
2710012	2" x 1 1/2"	12	12



**CHROME-PLATED
BRASS URINAL FLUSH
VALVE**

W-R#	Description	Min.	Box
1355002	1/2" X 3/4"	1	6

• Self cleaning, spring action



**BRASS URINAL
FLANGE KIT**

W-R#	Description	Fits	Min
1353018	4"	Am Std	1
1353020	4 1/4"	Eljer/Gerber	1
1353022	5 1/2"	Crane	1
1353024	6"	Kohler	1



**PVC URINAL
FLANGE KIT**

W-R#	Description	Min
1353030	PVC--Hub	1
1353032	PVC--Spigot	1

- All Urinal Flange Kits contain bolts, nuts, & sponge gasket



**SPONGE RUBBER
GASKET FOR URINAL
FLANGE**

W-R#	Description	Box
2717012	3 1/4"OD x 2 1/4"ID x 1/2"	25