

Style 110 Reinforcing Sleeve

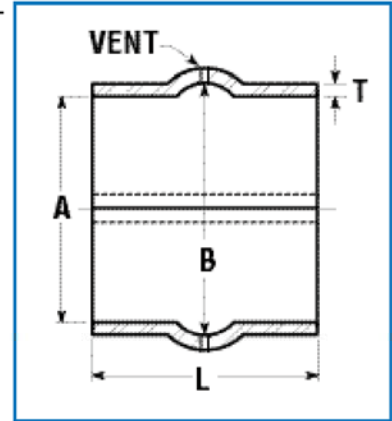


**Split reinforcing sleeve
for reinforcement of
welded joints**

Pipeline engineers assure the safety of field joints by installing **Dresser Style 110 Reinforcing Sleeves** on welded joints where special precautions are required. Style 110 sleeves can be used on defective 'trouble spots' on piping systems at highway, river and railroad crossings, at overbends and tie-ins, in marshy ground, near buildings and other places where special precautions are necessary.

The Style 110 sleeve lends itself to field welding without preheating, using ordinary field welding procedures. All sleeves are factory prepared with standard welding bevel, machine flame cut for uniformity and ease of welding, and come with a drilled vent hole to preclude pressure build up between sleeve and pipe.

Built to rigid Dresser specifications, Style 110 sleeves has a minimum yield strength of 50,000 psi and an ultimate strength of 70,000 psi. Style 110 sleeves are supplied in all sizes, lengths and thicknesses as shown in charts. Larger sizes and lengths available upon request.



Style 110* Reinforcing Sleeve

Specifications for Nominal Sizes 4" thru 30" from 6 to 24" Lengths (With vent)

Nom. Pipe Size (In.)	Inside Diam. "A" & Pipe (OD)	Diam. "B" (In.)	Length "L" (In.)	Thick-ness "T" (In.)	Apprx. Ship Wt. (lbs.)
4	4-1/2	5-3/8	4	5/16	5-1/2
6	6-5/8	7-1/2	6	3/8	16-1/2
8	8-5/8	9-1/2	6	3/8	19
8	8-5/8	9-1/2	8	3/8	27
8	8-5/8	9-1/2	6	1/2	26
8	8-5/8	9-1/2	8	1/2	35
10	10-3/4	11-5/8	6	3/8	23
10	10-3/4	11-5/8	10	3/8	38
10	10-3/4	11-5/8	6	1/2	31
10	10-3/4	11-5/8	10	1/2	50
12	12-3/4	14-1/4	6	3/8	27
12	12-3/4	14-1/4	9	3/8	40-1/2
12	12-3/4	14-1/4	12	3/8	56
12	12-3/4	14-1/4	6	1/2	36
12	12-3/4	14-1/4	9	1/2	55
12	12-3/4	14-1/4	12	1/2	74
14	14	15-1/2	6	3/8	30
14	14	15-1/2	9	3/8	45
14	14	15-1/2	14	3/8	70
14	14	15-1/2	6	1/2	40
14	14	15-1/2	9	1/2	60
14	14	15-1/2	14	1/2	94
16	16	17-1/2	6	3/8	35
16	16	17-1/2	19	3/8	52
16	16	17-1/2	12	3/8	68
16	16	17-1/2	16	3/8	90
16	16	17-1/2	6	1/2	46
16	16	17-1/2	9	1/2	70
16	16	17-1/2	12	1/2	90
16	16	17-1/2	16	1/2	120
18	18	19-1/2	6	3/8	39
18	18	19-1/2	9	3/8	58
18	18	19-1/2	12	3/8	77
18	18	19-1/2	18	3/8	114
18	18	19-1/2	6	1/2	51
18	18	19-1/2	9	1/2	78
18	18	19-1/2	12	1/2	101
18	18	19-1/2	18	1/2	152
20	20	21-1/2	6	3/8	43
20	20	21-1/2	9	3/8	64
20	20	21-1/2	12	3/8	84
20	20	21-1/2	20	3/8	139
20	20	21-1/2	6	1/2	58

Nom. Pipe Size (In.)	Inside Diam. "A" & Pipe (OD)	Diam. "B" (In.)	Length "L" (In.)	Thick-ness "T" (In.)	Apprx. Ship Wt. (lbs.)
20	20	21-1/2	9	1/2	86
20	20	21-1/2	12	1/2	112
20	20	21-1/2	21	1/2	186
22	22	23-1/2	6	3/8	47
22	22	23-1/3	9	3/8	70
22	22	23-1/3	12	3/8	92
22	22	23-1/3	22	3/8	166
22	22	23-1/3	6	1/2	64
22	22	23-1/3	9	1/2	94
22	22	23-1/3	12	1/2	123
22	22	23-1/3	22	1/2	230
24	24	25-1/2	6	3/8	51
24	24	25-1/2	9	3/8	76
24	24	25-1/2	12	3/8	100
24	24	25-1/2	16	3/8	133
24	24	25-1/2	24	3/8	198
24	24	25-1/2	6	1/2	69
24	24	25-1/2	9	1/2	101
24	24	25-1/2	12	1/2	133
24	24	25-1/2	16	1/2	177
24	24	25-1/2	24	1/2	265
26	26	27-1/2	6	3/8	56
26	26	27-1/2	9	3/8	82
26	26	27-1/2	12	3/8	109
26	26	27-1/2	16	3/8	143
26	26	27-1/2	26	3/8	232
26	26	27-1/2	6	1/2	75
26	26	27-1/2	9	1/2	110
26	26	27-1/2	12	1/2	144
26	26	27-1/2	16	1/2	190
26	26	27-1/2	26	1/2	310
30	30	31-1/2	6	3/8	64
30	30	31-1/2	9	3/8	95
30	30	31-1/2	12	3/8	125
30	30	31-1/2	16	3/8	164
30	30	31-1/2	30	3/8	310
30	30	31-1/2	6	1/2	85
30	30	31-1/2	9	1/2	127
30	30	31-1/2	12	1/2	166
30	30	31-1/2	16	1/2	220
30	30	31-1/2	30	1/2	410

NOTE: Larger diameters, higher pressures and metric sizes may be furnished upon request. Please consult factory.

Materials of Construction

Body: High strength, low carbon steel meeting ASTM A572 GR 50/ ASTM A588

Yield Strength: 50,000 PSI Min.

Temp. Ratings: -20° to +150°F



***NOTE:** Style 115 full-encirclement weld-over sleeves are available in 3/8" and 1/2" thicknesses for larger diameters and lengths up to 10 feet. Consult factory for your special project requirements.

