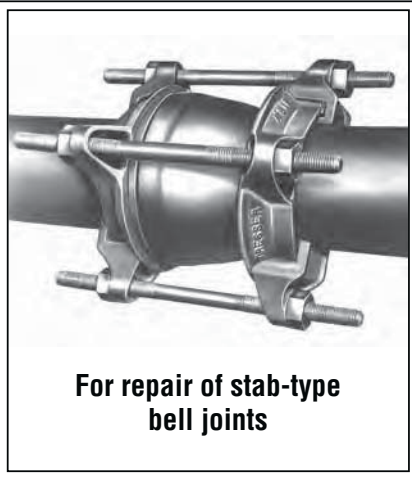


# Style 60-S Bell Joint Clamps



## Materials of Construction

**Rings:** Cast Ductile Iron to ASTM A536

**Studs & Nuts:** Dresserloy Carbon Steel

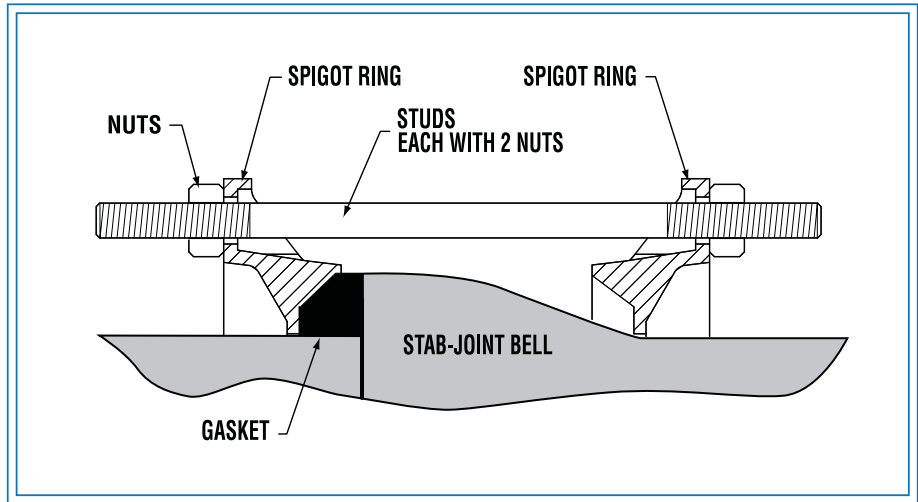
**Spigot Ring:** ASTM A-307

**Gaskets:** Grade 27 Buna S

**Coating:** Fusion-Bonded Epoxy

**Style 60-S Bell Joint Clamps** are similar to the standard Dresser Style 60 clamp, but consists of two spigot rings rather than one spigot and one bell ring. This difference in design is necessary since most stab-type joints, including cast-iron pipe, have a long, tapered bell which has no shoulder for anchoring a bell ring.

Long studs are provided for adjustability to provide a close fit on both pipe bell and spigot ends. A large, special rubber compound gasket shuts off the leak when compressed as the spigot rings are drawn up and the studs are tightened against the bell. Style 60-S clamps can be quickly installed with no interruption of service.



## Style 60-S Clamp for Stab-type Pipe Joints

### Specifications for Sizes 4" thru 36"

CIP Nom. Size (In.)	Spigot Ring Number (2 per clamp)	STUDS Number Diam. x Length	Weight App. Ship. (Lbs.)
4	160A0480	4 - 5/8" x 13	18
6	160A0690	6 - 5/8" x 13	27
8	160A0905	6 - 5/8" x 13	33
10	60B1110	8 - 5/8" x 13	43
12	160A1320	8 - 5/8" x 13	48
14	60A1530	9 - 5/8" x 13	71
16	60B1740	9 - 5/8" x 16	74
18	60A1950	12 - 5/8" x 16	91
20	60A2160	12 - 5/8" x 16	100
24	60D2580	12 - 5/8" x 16	115
30	60A3174	16 - 5/8" x 16	171
36	60B3830	20 - 5/8" x 16	247

NOTE: Style 60-S Clamps can be used on caulked cast iron pipe joints for Class A, B, C and D and C900 pipe sizes through 24"; Same pipe for Class A, B & C in sizes 30" and 36".