

Style 131 Dismantling Joint

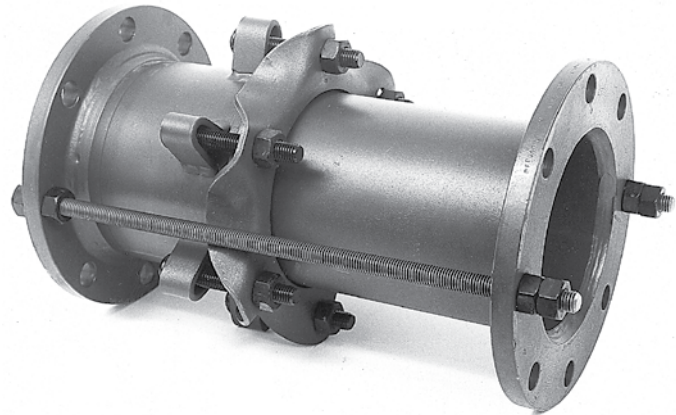
Allows quick installation or removal of flanged appurtenances

- **Permits maximum flexibility in system design**
- **Allows for up to 5" of longitudinal movement**
- **Eliminates on-site spool welding & fabrication**

The **Dresser® Style 131 Dismantling Joint** features a standard flange adapter and a flange spool piece providing longitudinal adjustment in flanged piping systems. A typical dismantling joint would be used in a pump house, a blower house, a lift station or anywhere that a flanged-end piping accessory requires quick installation or removal. The Dresser Style 131 permits maximum flexibility when installing and maintaining a variety of flanged-end pipe interfaces with check valves, gate valves, ball valves, pumps, blowers, meters, engines, compressors, and various fittings and appurtenances. Plus, the Style 131 eliminates the need to drop an inlet or discharge pipe leg normally associated with flanged-end pipe.

The Style 131 permits up to 5" of longitudinal adjustment to the pipe end and also allows for up to 2 degrees of misalignment. This longitudinal adjustment, provided by the telescoping flanged spool piece, can be limited with the addition of tie rods, which are integral with the joint. As a consequence of this flexibility, center to center dimensions become less critical to the installer and installation time is reduced considerably.

Dresser Dismantling Joints are available in diameters ranging from 4" through 24" in standard designs, and 26" through 84" diameters for custom-engineered designs. The Dresser Dismantling Joint is fabricated in either carbon steel or stainless steel. Standard designs include flanges drilled to mate with AWWA C207 Class B and Class D with a maximum working pressure of 150 PSI. Higher pressure ratings and other flange specifications are available upon request.



The **Dresser Dismantling Joint** is available in a variety of coatings to suit operating and environmental conditions, and gasket compounds are selected for compatibility with line content, with the standard gasket available in a Dresser Grade 27 BUNA S compound.

Material Specifications

Spool Piece: Steel - AISI C1010-C1015

Flange Adapter: Steel - AISI C1010-C1015

Bolts & Nuts: Alloy to AWWA C111/ANSI A21.11

Tie Rods & Nuts (Optional):

Tie Rods: Steel - ASTM A193 Grade B7

Tie Rod Nuts: ASTM A194 Grade 2H

Gasket: Dresser Grade 27 BUNA-S Rubber

Coatings: All metal parts coated with Dresser fusion bonded epoxy as standard. Dresser shopcoat solution is available, please contact Dresser Customer Service.

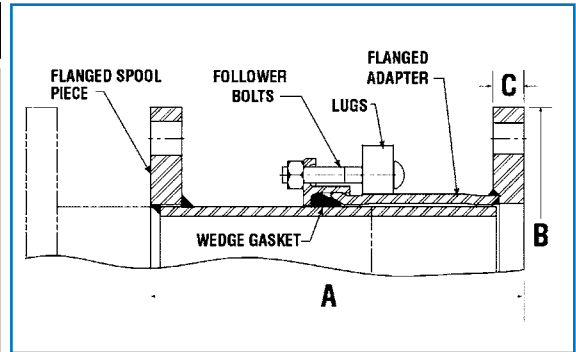
See reverse side for product specifications

Style 131 Dismantling Joint

Specifications for Sizes 4" thru 84" with AWWA C207 Class D Flanges

Style 131 Dimension Specifications 4" through 84"

Nom. Size (In.)	Closed Length (A)	Tie Rods (Optional)			Flange Thickness (C)	Flange** O.D. (B)	Approx. Weight (lbs.)
		No. *	Diam.	Length			
4"	12-3/8"	2	5/8"	22"	0.625	9"	50
5"	12-3/8"	2	5/8"	22"	0.625	10"	60
6"	12-3/4"	2	3/4"	24"	0.688	11"	70
8"	12-3/4"	2	3/4"	24"	0.688	13-1/2"	90
10"	13-1/4"	2	7/8"	24"	0.688	16"	130
12"	13-3/8"	2	7/8"	24"	0.812	19"	160
14"	14"	2	1"	26"	0.933	21"	210
16"	14-1/8"	2	1"	26"	1.000	23-1/2"	230
18"	14-1/2"	2	1-1/8"	26"	1.062	25"	260
20"	14-5/8"	2	1-1/8"	26"	1.125	27-1/2"	300
24"	15-1/8"	2/4*	1-1/4"	28"	1.250	32"	410
26"	15-1/4"	4	1-1/4"	28"	1.312	34-1/4"	500
28"	15-1/4"	4	1-1/4"	28"	1.312	36-1/2"	550
30"	15-3/8"	4	1-1/4"	28"	1.375	38-3/4"	600
32"	15-5/8"	4	1-1/2"	28"	1.500	41-3/4"	750
34"	15-5/8"	4	1-1/2"	28"	1.500	43-3/8"	800
36"	16"	4/6*	1-1/2"	30"	1.625	46"	900
38"	16"	4/6*	1-1/2"	30"	1.625	48-3/4"	1100
40"	16"	4/6*	1-1/2"	30"	1.625	50-3/4"	1150
42"	16"	4/6*	1-1/2"	30"	1.750	53"	1300
44"	16-1/4"	6/8*	1-1/2"	30"	1.750	55-1/4"	1400
46"	16-1/4"	6/8*	1-1/2"	30"	1.750	57-1/4"	1500
48"	16-1/2"	6/8*	1-1/2"	30"	1.875	59-1/2"	1650
50"	17"	4	1-3/4"	32"	2.000	61-3/4"	1800
52"	17"	4	1-3/4"	32"	2.000	64"	1950
54"	17"	6	1-3/4"	32"	2.125	66-1/4"	2150
60"	18"	6	1-3/4"	34"	2.250	73"	2600
66"	19"	8	1-3/4"	34"	2.500	80"	3250
72"	19"	8/10*	1-3/4"	34"	2.625	86-1/2"	3650
84"	22"	8	1-3/4"	34"	2.875	99-3/4"	4000



NOTE 1: Tie Rods are designed for 150 PSI Maximum Working Pressure. (Tie rods are optional by request)

***Tie Rod Quantity:** Carbon Steel/Stainless Steel

****Flanges:** Flanges are AWWA Class D Rated to 150 PSI. **Other types:** (e.g. AWWA C207 Class E&F, ANSI B16.5, 16.47 and Metric). Other series and diameters are available on request.

Piping Specialties
 41 Fisher Avenue, Bradford, PA 16701
 Phone: (814) 362-9200
 Fax: (814) 362-9344
 Email: dmddsales@dresser.com



www.dresser.com