

**DRESSER™
PIPELINE SOLUTIONS**

Wal-Rich Corporation is a master distributor of Dresser Pipeline Solutions, a trademark of GE.

The following pages highlight the items that are in stock at our NY facility.

For more information, please contact our Dresser Product Specialists at (800) 221-1157.

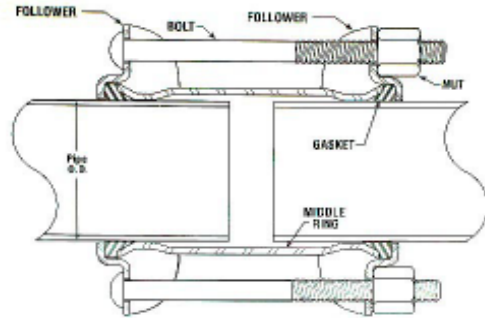
You can find specification sheets for Dresser products by visiting the following page:

<http://wal-rich.com/index.php/new-products/dresser-specification-sheets/>

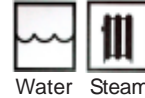
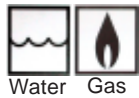
**DRESSER™
PIPELINE SOLUTIONS**

**For Water
Service**

STYLE 38 COUPLINGS FOR STEEL PIPE



Anatomy of a Style 38 Dresser Coupling



Size	[OD]	Armored	Plain	Low Pressure Steam
1/2" IPS	[.84]	2801002	2801302	-
3/4" IPS	[1.05]	2801004	2801304	-
1" IPS	[1.32]	2801006	2801306	-
1 1/4" IPS	[1.66]	2801008	2801308	-
1 1/2" IPS	[1.90]	2801010	2801310	-
2" IPS	[2.38]	2801012	2801312	2801498
2 1/2" IPS	[2.88]	2801014	2801314	2801500
3" IPS	[3.50]	2801016	2801316	2801502
3 1/2" IPS	[4.00]	2801018	2801318	2801503
4" IPS	[4.50]	2801020	2801320	2801504
5" IPS	[5.563]	2801022	2801322	2801506
6" IPS	[6.63]	2801024	2801324	2801508
8" IPS	[8.63]	2801026	2801326	2801510
10" IPS	[10.75]	2801028	2801328	2801512
12" IPS	[12.75]	2801030	2801330	2801514

- All **Style 38's** feature a Fusion-Bonded Epoxy Coating to prevent corrosion, except for Steam Couplings (Red Shop Coat)
- All **Style 38's** have corrosion-resistant alloy bolts and nuts (5/8" x 8 1/4")
- **Wal-Rich** stocks all Style 38's with **5"** long **middle rings** (the body of the coupling)
- For special sizes or configurations, call our Dresser Specialists at 800-221-1157

**DRESSER™
PIPELINE SOLUTIONS**

**For Water
Service**

**STYLE 65 GALVANIZED
COMPRESSION FITTINGS
FOR STEEL PIPE**



Armored Gaskets



Water

W-R#	Diameter
2804202	1/2" Short #65 Coupling
2804204	3/4" Short #65 Coupling
2804206	1" Short #65 Coupling
2804208	1 1/4" Short #65 Coupling
2804210	1 1/2" Short #65 Coupling
2804212	2" Short #65 Coupling

W-R#	Diameter
2804002	1/2" Long #65 Coupling
2804004	3/4" Long #65 Coupling
2804006	1" Long #65 Coupling
2804008	1 1/4" Long #65 Coupling
2804010	1 1/2" Long #65 Coupling
2804012	2" Long #65 Coupling

W-R#	Diameter
2804402	1/2" #65 90° Elbow
2804404	3/4" #65 90° Elbow
2804406	1" #65 90° Elbow
2804408	1 1/4" #65 90° Elbow
2804410	1 1/2" #65 90° Elbow
2804412	2" #65 90° Elbow

W-R#	Diameter
2804301	1/2" #65 Male Adapter
2804302	3/4" #65 Male Adapter
2804304	1" #65 Male Adapter
2804306	1 1/4" #65 Male Adapter
2804308	1 1/2" #65 Male Adapter
2804310	2" #65 Male Adapter

- For Water Service. Rated to 150 PSI, at temperatures up to 150 degrees

**DRESSER™
PIPELINE SOLUTIONS**

**For Water
Service**

**STYLE 90 COMPRESSION
FITTINGS FOR STEEL PIPE
(SEAL-ONLY)**



W-R#	Description
2806004	3/4" Style 90 Coupling
2806006	1" Style 90 Coupling
2806008	1 1/4" Style 90 Coupling
2806010	1 1/2" Style 90 Coupling
2806012	2" Style 90 Coupling

W-R#	Description
2814602	3/4" Style 90 Elbow
2814604	1" Style 90 Elbow
2814606	1 1/4" Style 90 Elbow
2814608	1 1/2" Style 90 Elbow
2814610	2" Style 90 Elbow

W-R#	Description
2806502	3/4" Style 90 Male Adptr
2806504	1" Style 90 Male Adptr
2806506	1 1/4" Style 90 Male Adptr
2806508	1 1/2" Style 90 Male Adptr
2806510	2" Style 90 Male Adptr

- Max Temp: 212°
 - Standard "Seal-Only" Style 90 Fittings can be used for water and gas service where allowed by local codes.

**DRESSER™
PIPELINE SOLUTIONS**

**For Water
Service**

STYLE 118 HANDIBAND® CLAMPS

3" ONE BOLT CLAMPS



W-R#	Diameter x Length	
2817002	1/2" x 3"	Single Bolt
2817006	3/4" x 3"	Single Bolt
2817010	1" x 3"	Single Bolt
2817014	1 1/4" x 3"	Single Bolt
2817018	1 1/2" x 3"	Single Bolt
2817022	2" x 3"	Single Bolt
2817026	2 1/2" x 3"	Single Bolt
2817030	3" x 3"	Single Bolt
2817034	4" x 3"	Single Bolt
2817039	5" x 3"	Single Bolt
2817038	6" x 3"	Single Bolt
2817043	8" x 3"	Single Bolt

6" TWO BOLT CLAMPS



W-R#	Diameter x Length	
2817004	1/2" x 6"	Double Bolt
2817008	3/4" x 6"	Double Bolt
2817012	1" x 6"	Double Bolt
2817016	1 1/4" x 6"	Double Bolt
2817020	1 1/2" x 6"	Double Bolt
2817024	2" x 6"	Double Bolt
2817028	2 1/2" x 6"	Double Bolt
2817032	3" x 6"	Double Bolt
2817036	4" x 6"	Double Bolt
2817040	6" x 6"	Double Bolt
2817044	8" x 6"	Double Bolt

12" TWO BOLT CLAMPS

W-R#	Diameter x Length	
2817025	2" x 12"	Double Bolt
2817033	3" x 12"	Double Bolt
2817037	4" x 12"	Double Bolt
2817042	6" x 12"	Double Bolt
2817046	8" x 12"	Double Bolt

Lugs: Ductile Iron
Band: Stainless Steel
Bolts: Brass-Plated Alloy Steel
Gasket: Grade 304 material can be used with water, air, oils, aromatic & aliphatic hydrocarbons, gasoline, & natural gas.

- Max Temp: 150°F

**DRESSER™
PIPELINE SOLUTIONS**

**For Water
Service**

**STYLE 360 “ALL-AROUND”
REPAIR CLAMPS**



Lugs: Ductile Iron
Band: Stainless Steel
Bolts: Brass-Plated Alloy Steel
Gasket: Grade 304 material can be used with water, air, oils, aromatic & aliphatic hydrocarbons, gasoline, & natural gas.

- Max Temp: 150°F

for STEEL/PVC [OD]

For COPPER [OD]

For CAST/DUCTILE [OD]

7.5" LONG CLAMPS

2822500 2" [2.375]	2822602 2 1/2" CTS [2.63]	2822702 3" DIP [3.73-4.00]
2822502 3" [3.50]	2822604 3" CTS [3.13]	2822704 4" DIP [4.74-5.14]
2822504 4" [4.50]	2822606 4" CTS [4.13]	2822706 6" DIP [6.84-7.24]
2822506 6" [6.63]		2822708 8" DIP [8.99-9.39]
2822508 8" [8.63]		2822710 10" DIP [11.04-11.44]
2822510 10" [10.75]		2822712 12" DIP [13.10-13.50]
2822512 12" [12.75]		

12.5" LONG CLAMPS

2822000 2" [2.375]	2822102 2 1/2" CTS [2.63]	2822202 3" DIP [3.73-4.00]
2822002 3" [3.50]	2822104 3" CTS [3.13]	2822204 4" DIP [4.74-5.14]
2822004 4" [4.50]	2822106 4" CTS [4.13]	2822206 6" DIP [6.84-7.24]
2822006 6" [6.63]		2822208 8" DIP [8.99-9.39]
2822008 8" [8.63]		2822210 10" DIP [11.04-11.44]
2822010 10" [10.75]		2822212 12" DIP [13.10-13.50]
2822012 12" [12.75]		

**DRESSER™
PIPELINE SOLUTIONS**

**For Gas
Service**

**STYLE 39 COUPLING FOR STEEL--INSULATED,
FOR GAS APPLICATIONS**



Insulating Sleeve

Copper Stubout for anode connection



Insulating Sleeve, Gasket, & Spacer



Gas

W-R#	Description	Insulating Sleeve
2803000	2" IPS	One-End
2803002	2½" IPS	One-End
2803004	3" IPS	One-End
2803006	4" IPS	One-End
2803008	6" IPS	One-End
2803010	8" IPS	One-End

- Features rubber insulating sleeve and anode for conductivity
- Fusion-bonded epoxy coat.
- Style 39 couplings are "Seal-Only"--for aboveground use (meter set)

**STYLE 711 BOLTED COUPLINGS
WITH "RESTRAINING SEAL"
FOR STEEL PIPE**



Copper Stubout for anode connection

Yellow Seal & Restraint ID Band



Restraining Ring tightens to prevent pipe pullout



Gas

Pullout Prevention Products



W-R#	Description
2833002	2" IPS - Steel Pipe
2833006	3" IPS - Steel Pipe
2833008	4" IPS - Steel Pipe

W-R#	Description
2834002	2" IPS - *PE* SDR-11
2834006	3" IPS - *PE* SDR-11
2834006	3" IPS - *PE* SDR-11.5
2834008	4" IPS - *PE* SDR-11

- furnished with 2 heavy steel stiffeners

**DRESSER™
PIPELINE SOLUTIONS**

**For Gas
Service**

**STYLE 90 "SEAL ONLY" FITTING FOR STEEL PIPE,
INSULATED FOR GAS**



1/8" tap



W-R# Description

2815802	3/4"	Insulated Coupling
2815804	1"	Insulated Coupling
2815806	1 1/4"	Insulated Coupling
2815808	1 1/2"	Insulated Coupling
2815810	2"	Insulated Coupling

- Insulating sleeve and spacer to conform to local codes.
- Seal Only--no restraint.

W-R# Description

2820002	3/4"	Insulated Cplg w/ Tap
2820004	1"	Insulated Cplg w/ Tap
2820006	1 1/4"	Insulated Cplg w/ Tap
2820008	1 1/2"	Insulated Cplg w/ Tap
2820010	2"	Insulated Cplg w/ Tap

- Insulated coupling with 1/8" tapping to meet Con Ed specs.
- Heavy-duty machined-steel body.
- Seal Only--no restraint.

W-R# Description

2816002	3/4"	Insulated Elbow
2816004	1"	Insulated Elbow
2816006	1 1/4"	Insulated Elbow
2816008	1 1/2"	Insulated Elbow
2816010	2"	Insulated Elbow

- Seal Only--no restraint.

**DRESSER™
PIPELINE SOLUTIONS**

**For Gas
Service**

**“UNIVERSAL” STYLE 90 COUPLINGS
WITH “RESTRAINING SEAL”**



FOR STEEL

Pullout Prevention Products

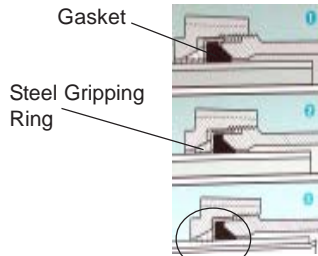


W-R# Description

2816602	¾" "Universal" Coupling
2816604	1" "Universal" Coupling
2816606	1¼" "Universal" Coupling
2816608	1½" "Universal" Coupling
2816610	2" "Universal" Coupling



- Seal & Restraint coupling



Upon tightening nut, gasket compresses to create seal and steel rings grip pipe to prevent pullout.



Steel Gripping Ring

FOR POLYETHYLENE



Furnished with stiffeners



W-R# Description SDR

2817702	¾" 11 "Universal"
2817704	1" 11 "Universal"
2817706	1¼" 10 "Universal"
2817708	1½" 11 "Universal"
2817710	2" 11 "Universal"

- Seal & Restraint coupling

**DRESSER™
PIPELINE SOLUTIONS**

**For Hi-Temp
Applications**

STYLE 38 HI-TEMP COUPLINGS



Max Temp: 1200°



Carded Glass Gasket



W-R#	Description	OD
2801489	1/2" IPS	[.84]
2801490	3/4" IPS	[1.05]
2801492	1" IPS	[1.32]
2801494	1 1/4" IPS	[1.66]
2801496	1 1/2" IPS	[1.90]
2801498	2" IPS	[2.38]
2801500	2 1/2" IPS	[2.88]
2801502	3" IPS	[3.50]
2801503	3 1/2" IPS	[4.00]
2801504	4" IPS	[4.50]
2801506	5" IPS	[5.563]
2801508	6" IPS	[6.63]
2801510	8" IPS	[8.63]
2801512	10" IPS	[10.75]
2801514	12" IPS	[12.75]

- Carded Fiberglass. Withstands temperatures to 1200°. Please note: the non-resilient characteristic of carded fiberglass gaskets can result in a non-leakproof seal.

STYLE 90 HI-TEMP COUPLINGS



Max Temp: 1200°



Carded Glass Gasket



W-R#	Description
2814402	1/2" Style 90 - Hi Temp
2814404	3/4" Style 90 - Hi Temp
2814406	1" Style 90 - Hi Temp
2814408	1 1/4" Style 90 - Hi Temp
2814410	1 1/2" Style 90 - Hi Temp
2814412	2" Style 90 - Hi Temp

- Carded Fiberglass. Withstands temperatures to 1200°. Please note: the non-resilient characteristic of carded fiberglass gaskets can result in a non-leakproof seal.

**DRESSER™
PIPELINE SOLUTIONS**

STYLE 175 GTO/CURB VALVES



W-R# Description

2817112	3/4"	#175 GTO Valve
2817114	1"	#175 GTO Valve
2817116	1 1/4"	#175 GTO Valve
2817118	1 1/2"	#175 GTO Valve
2817120	2"	#175 GTO Valve

- FIP x FIP
- Tamper-proof design
- 1/4 Turn

STYLE 275 LOCK WING METER VALVES

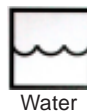


W-R# Description

2817150	3/4"	#275 Lockwing
2817152	1"	#275 Lockwing
2817154	1 1/4"	#275 Lockwing

- FIP x FIP
- Tamper-proof design

STYLE 91 SERVICE SADDLES



W-R# Description

2807001	2" X 1"	Double-Stirrup
2807002	2" X 1 1/4"	Double-Stirrup
2807004	2" X 1 1/2"	Double-Stirrup

- Max Temp 212°

**DRESSER™
PIPELINE SOLUTIONS**

**Parts for
Style 38
Couplings**



**WATER
SERVICE**

Plain Grade 27
Buna-S gasket

W-R#	Description
2817602	1/2"
2817604	3/4"
2817606	1"
2817608	1 1/4"
2817610	1 1/2"
2817612	2"
2817614	2 1/2"
2817616	3"
2817618	3 1/2"
2817620	4"
2817622	5"
2817624	6"
2817626	8"
2817628	10"
2817630	12"



**GAS
SERVICE**

Armored Grade 27
Buna-S gasket.
Brass coil provides
additional conductivity.

W-R#	Description
2817502	1/2"
2817504	3/4"
2817506	1"
2817508	1 1/4"
2817510	1 1/2"
2817512	2"
2817514	2 1/2"
2817516	3"
2817518	3 1/2"
2817520	4"
2817522	5"
2817524	6"
2817526	8"
2817528	10"
2817530	12"



**OIL
SERVICE**

Grade 42 BUNA-N
Gaskets for fuel oil &
gasoline.

W-R#	Description
2801462	2"
2801464	2 1/2"
2801466	3"
2801467	3 1/2"
2801468	4"
2801470	5"
2801472	6"
2801474	8"
2801476	10"
2801478	12"



**HI-TEMP
CARDED GLASS**

For steam & air
applications up to 1200°.
Please note: the non-
resilient characteristic of
carded fiberglass gaskets
can result in a non-leakproof
seal.

W-R#	Description
2817276	1/2"
2817278	3/4"
2817280	1"
2817282	1 1/4"
2817284	1 1/2"
2817286	2"
2817288	2 1/2"
2817302	3"
2817303	3 1/2"
2817304	4"



NUTS & BOLTS

Dresserloy® Carbon Steel Epoxy-
coated bolts & nuts

W-R#	Description
2818312	5/8" x 8 1/4" Nut & Bolt
2818314	5/8" x 10 3/4" Nut & Bolt

- Also available in 304 Stainless Steel
and 316 Stainless Steel