



# Style 711 Bolted Restraining Couplings



- A bolted coupling that seals and restrains
- Makes reliable joints on any combination of Steel and P. E. pipe
- Couplings and Line Caps available for Cast-to-Steel and Cast-to-P. E. applications
- Conductive and Insulating Designs

## The Dresser '711'....Provides a pressure seal and a pipe restraint...

The unique patented combination of components on the compression end(s) of the 711 product design results in the gaskets' ability to provide a "pressure seal" prior to the metallic gripping mechanism locking the pipe against pull-out. This patented engineering breakthrough offers the capability of a "seal plus pipe restraint" pipe joint with minimal components.

The 711 offers the convenience of an assembled stab product, eliminating the disassembly of any components while assuring that all of the components are properly installed. The singular tightening of the bolts, resulting in the sealing and locking of the pipe joint, eliminates additional add-ons and reduces the installation time for the workman.



### Why use a coupling that seals and restrains?

Ordinary mechanical couplings provide only a seal on the pipe end when installed. They don't prevent the pipe from pulling out of the coupling. The Style 711 coupling provides both a seal and restraint. As the coupling bolts are tightened, the coupling followers compress the gaskets and then force the steel grip rings to collapse around the pipe end, providing restraint. This gripping action actually increases as the pipe attempts to pull out of the coupling.

### Why use a bolted coupling?

There's no need for special tools with the Style 711 bolted coupling. With minimal training, any workman can make consistent, reliable joints in your gas distribution system, using ordinary ratchet or torque wrenches.

### Are insert stiffeners readily available?

Insert stiffeners for P. E. pipe in all SDR sizes commonly used in gas piping systems can be furnished by Dresser. Dresser pipe inserts are color-coded to assist with the identification of proper SDR.

### What about cathodic protection?

The Style 711 coupling is supplied with AL-CLAD® epoxy coating as standard. Applied under rigidly controlled factory conditions, this coating offers a quality and integrity no field applied coating can match. Each coupling also comes with a connector, should you choose to use it, for fast, easy anode or lead wire connections.

### What about code compliance requirements for the Style 711?

The Dresser® Style 711 coupling exceeds the requirements of D.O.T. Code 192.283(b), provided the proper Dresser reinforcing insert stiffener is used in the P. E. pipe end.

### Why specify a conductive or insulating coupling design?

**Conductive Couplings** are used on lines that are to be electrically joined so as to share cathodic protection. Pipe to pipe continuity is assured with specially pinned Dresser® Armored® gaskets. **Insulating Couplings** are used on lines that are to be electrically isolated (or sectionalized) for cathodic protection, or for insulating between pipe of dissimilar metals. This is accomplished by insulating one pipe end from the coupling and other pipe end.

## Style 711 Bolted Product Configurations

### FOR STEEL AND P.E. CONNECTIONS:

- **Straight Couplings**  
- For P.E. to P.E., P.E. to Steel and Steel to Steel pipe; Insulating sizes 1-1/4" thru 8"; Conductive sizes 1-1/4" thru 12".
- **Reducing Couplings**  
- For P.E. to P.E., P.E. to Steel and Steel to Steel pipe; Insulating sizes 2" thru 8"; Conductive sizes 2" thru 8".
- **Flange Adapters**  
- For connecting flanged end pipe to P.E. or Steel pipe; Conductive sizes 2" thru 8".
- **Line Caps**  
- For capping deadends for future extensions; Insulating sizes 2" thru 8"; Conductive sizes 2" thru 8".

### FOR CIP TO STEEL, CIP TO P.E.

- **Reducing Couplings**  
- For Cast to P.E., Cast to Steel and Steel to Steel pipe; Insulating sizes 3" thru 12"
- **Line Caps**  
- For capping deadends for future extensions; For Insulated sizes 3" thru 12"

## Style711 Sizes and Technical Specifications

### Style 711 Bolted Coupling for P.E. to P.E., P.E. to Steel, Steel to Steel Connections Conductive Sizes 1-1/4" thru 12"

PIPE SIZE NOM.	DIAMETER	PRODUCT RATINGS		P.E. PIPE PULLOUT RESISTANCE UP TO THE MAX. WALL LISTED MEETS OR EXCEEDS D.O.T. 192.283 (b)		WEIGHT PER COUPLING LESS INSERT
		MAX. SEALING PRESSURE	MAX. STEEL PIPE PULLOUT RESISTANCE	TYPE 2306/2406	TYPE 3406/3408	
1-1/4	1.660	150 psi	2,500 lbs	SDR 10	SDR 9.3	5
2	2.375	150 psi	6,300 lbs	SDR 9.3	SDR 9.3	8
3	3.500	300 psi	13,000 lbs	SDR 9.3	SDR 9.3	16
4	4.500	300 psi	14,000 lbs	SDR 9.3	SDR 9.3	25
6	6.625	300 psi	22,000 lbs	SDR 11	SDR 11	38
8	8.625	150 psi	37,300 lbs	SDR 11	SDR 11	54
10	10.750	150 psi	69,000 lbs	SDR 11	SDR 11	107
12	12.750	150 psi	50,800 lbs	SDR 13.5	N/A	93
12	12.750	150 psi	100,000 lbs	SDR 11	SDR 11	132

NOTE 1: For wall thickness greater than SDR listed, contact Dresser for recommendation. Pull-out resistance is based on using Dresser reinforcing pipe inserts.

NOTE 2: For all sizes and configurations, please refer to your Dresser Price List or contact your Dresser Representative.

### Style 711 Bolted Coupling for P.E. to P.E., P.E. to Steel, Steel to Steel Connections Insulating Sizes 1-1/4" thru 8"

PIPE SIZE NOM.	DIAMETER	PRODUCT RATINGS		P.E. PIPE PULLOUT RESISTANCE UP TO THE MAX. WALL LISTED MEETS OR EXCEEDS D.O.T. 192.283 (b)		WEIGHT PER COUPLING LESS INSERT
		MAX. SEALING PRESSURE	MAX. STEEL PIPE PULLOUT RESISTANCE	TYPE 2306/2406	TYPE 3406/3408	
1-1/4	1.660	150 psi	2,500 lbs	SDR 10	SDR 9.3	5
2	2.375	150 psi	6,300 lbs	SDR 9.3	SDR 9.3	8
3	3.500	150 psi	13,000 lbs	SDR 9.3	SDR 9.3	16
4	4.500	150 psi	14,000 lbs	SDR 9.3	SDR 9.3	25
6	6.625	150 psi	22,000 lbs	SDR 11	SDR 11	38
8	8.625	150 psi	37,300 lbs	SDR 11	SDR 11	54

NOTE 1: For wall thickness greater than SDR listed, contact Dresser for recommendation. Pull-out resistance is based on using Dresser reinforcing pipe inserts.

NOTE 2: For all sizes and configurations, please refer to your Dresser Price List or contact your Dresser Representative.

### Style 711 Reducing Coupling for P.E. to P.E., P.E. to Steel, Steel to Steel Connections Conductive Sizes 2" thru 8"

PIPE SIZE NOM.	DIAMETER	PRODUCT RATINGS		P.E. PIPE PULLOUT RESISTANCE UP TO THE MAX. WALL LISTED MEETS OR EXCEEDS D.O.T. 192.283 (b)		WEIGHT PER COUPLING LESS INSERT
		MAX. SEALING PRESSURE	MAX. STEEL PIPE PULLOUT RESISTANCE	TYPE 2306/2406	TYPE 3406/3408	
2 x 1-1/4	2.375/1.66	150 psi	2,500 lbs	SDR 10	SDR 9.3	14
3 x 2	3.50/2.375	150 psi	6,300 lbs	SDR 9.3	SDR 9.3	18
4 x 2	4.50/2.375	150 psi	6,300 lbs	SDR 9.3	SDR 9.3	21
4 x 3	4.50/3.50	150 psi	13,000 lbs	SDR 9.3	SDR 9.3	21
6 x 4	6.625/4.50	150 psi	14,000 lbs	SDR 9.3	SDR 9.3	38
8 x 6	8.625/6.625	150 psi	22,000 lbs	SDR 11	SDR 11	45

NOTE: For wall thickness greater than SDR listed, contact Dresser for recommendation. Pull-out resistance is based on using Dresser reinforcing pipe inserts.

### Style 711 Reducing Coupling for P.E. to P.E., P.E. to Steel, Steel to Steel Connections Insulating Sizes 1-1/4" thru 8"

PIPE SIZE NOM.	DIAMETER	PRODUCT RATINGS		P.E. PIPE PULLOUT RESISTANCE UP TO THE MAX. WALL LISTED MEETS OR EXCEEDS D.O.T. 192.283 (b)		WEIGHT PER COUPLING LESS INSERT
		MAX. SEALING PRESSURE	MAX. STEEL PIPE PULLOUT RESISTANCE	TYPE 2306/2406	TYPE 3406/3408	
2 x 1-1/4	2.375/1.66	150 psi	2,500 lbs	SDR 10	SDR 9.3	14
3 x 2	3.50/2.375	150 psi	6,300 lbs	SDR 9.3	SDR 9.3	17.5
4 x 2	4.50/2.375	150 psi	6,300 lbs	SDR 9.3	SDR 9.3	20.5
4 x 3	4.50/3.50	150 psi	13,000 lbs	SDR 9.3	SDR 9.3	20.5
6 x 4	6.625/4.50	150 psi	14,000 lbs	SDR 9.3	SDR 9.3	38
8 x 6	8.625/6.625	150 psi	22,000 lbs	SDR 11	SDR 11	45

NOTE: For wall thickness greater than SDR listed, contact Dresser for recommendation. Pull-out resistance is based on using Dresser reinforcing pipe inserts.

### Style 711 Line Caps and Flange Adapters for Steel (IPS) and P.E. Pipe

PIPE SIZE NOM.	DIAMETER	PRODUCT RATINGS		P.E. PIPE PULLOUT RESISTANCE UP TO THE MAX. WALL LISTED MEETS OR EXCEEDS D.O.T. 192.283 (b)		WEIGHT PER FITTING LESS INSERT	
		MAX. SEALING PRESSURE	MAX. STEEL PIPE PULLOUT RESISTANCE	TYPE 2306/2406	TYPE 3406/3408	LINE CAP	F/A
1-1/4	1.660	150 psi	2,500 lbs	SDR 10	SDR 9.3	9	11
2	2.375	150 psi	6,300 lbs	SDR 9.3	SDR 9.3	13	15
3	3.500	150 psi	13,000 lbs	SDR 9.3	SDR 9.3	16	20
4	4.500	150 psi	14,000 lbs	SDR 9.3	SDR 9.3	20	26
6	6.625	150 psi	22,000 lbs	SDR 11	SDR 11	29	39
8	8.625	150 psi	37,300 lbs	SDR 11	SDR 11	38	53
10	10.75	150 psi	69,000 lbs	SDR 11	SDR 11	70	87
12	12.750	150 psi	50,800 lbs	SDR 13.5	NA	87	100
12	12.750	150 psi	100,000 lbs	SDR 11	SDR 11	115	129

NOTE: For wall thickness greater than SDR listed, contact Dresser for recommendation. Pull-out resistance is based on using Dresser reinforcing pipe inserts.

## Style 711 Reducing Cast to P.E., Cast to Steel (Insulating)

PIPE SIZE NOM.	DIAMETER	PRODUCT RATINGS		P.E. PIPE PULLOUT RESISTANCE UP TO THE MAX. WALL LISTED MEETS OR EXCEEDS D.O.T. 192.283 (b)		WEIGHT PER COUPLING WITH ONE INSERT
		MAX. SEALING PRESSURE	MAX. STEEL PIPE PULLOUT RESISTANCE	TYPE 2306/2406	TTYPE 3406/3408	
3 x 3	3.80/3.500	50 psi	13,000 lbs	SDR 9.3	SDR 9.3	28
3 x 3	3.96/3.500	50 psi	13,000 lbs	SDR 9.3	SDR 9.3	38
4 x 2	4.800/2.375	50 psi	6,300 lbs	SDR 9.3	SDR 9.3	29
4 x 3	4.800/3.500	50 psi	13,000 lbs	SDR 9.3	SDR 9.3	30
4 x 4	4.800/4.500	50 psi	14,000 lbs	SDR 9.3	SDR 9.3	32
6 x 4	6.900/4.500	50 psi	14,000 lbs	SDR 9.3	SDR 9.3	45
6 x 6	6.900/6.625	50 psi	22,000 lbs	SDR 11	SDR 11	51
8 x 6	9.050/6.625	50 psi	22,000 lbs	SDR 11	SDR 11	56
8 x 8	9.050/8.625	50 psi	37,300 lbs	SDR 11	SDR 11	60
12 x 12	13.200/12.750	50 psi	100,000 lbs	NA	SDR 11	140

NOTE: For wall thickness greater than SDR listed, contact Dresser for recommendation. Pull-out resistance is based on using Dresser reinforcing pipe inserts.

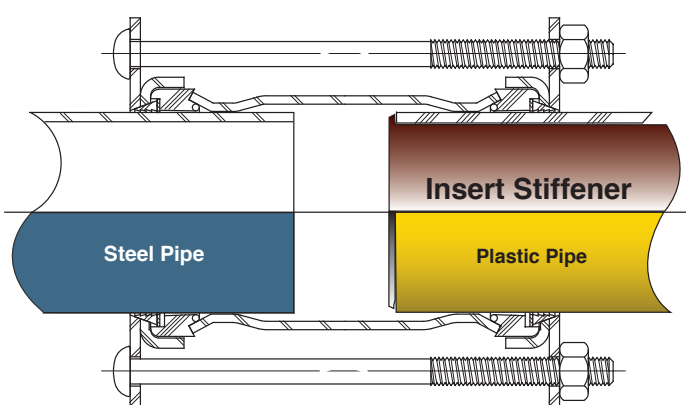
## Style 711 Insulated Line Cap for Cast Iron Pipe

PIPE SIZE NOM.	DIAMETER	PRODUCT RATINGS		WEIGHT PER FITTING LESS INSERT	
		MAX. SEALING PRESSURE	MAX. C. I. PIPE PULLOUT RESISTANCE	LINE CAP	F/A
3	3.8/3.96	50 psi	11,000 lbs	24	31
4	4.80/5.00	50 psi	11,000 lbs	24	31
6	6.90/7.10	50 psi	21,000 lbs	33	37
8	9.05/9.30	50 psi	37,300 lbs	43	51
12	13.200	50 psi	100,000 lbs	145	155

NOTE 1: For wall thickness greater than the SDR listed, contact Dresser for recommendation. The pipe pull-out resistances shown are based upon using Dresser reinforcing pipe inserts.

NOTE 2: When used on steel or CIP, the joint must be considered a rigid connection.

## Dresser Insert Stiffeners



SDR WALL	COLOR
9	Yellow
9.3	Blue
10	Grey
11	Black
11.5	Dull Red
13.5	White
17	Purple
21	Green
23.5	Orange

Pipe Size Nom. (In.)	SDR	Stiffener O.D. ± .015	Length (In.)
1-1/4	9.3	1.260	7
	10	1.297	7
	11	1.312	7
	13.5	1.400	7
2	9.0	1.625	7
	9.3	1.834	7
	11	1.900	7
	13.5	2.000	7
3	9.3	2.688	8
	11	2.812	8
	11.5	2.844	8
	13.5	2.950	8
4	9.3	3.461	8
	11	3.610	8
	11.5	3.630	8
	13.5	3.800	8
	17	4.500	8
	23	6.017	8
6	11	5.323	8
	11.5	5.342	8
	13.5	5.530	8
	17	5.765	8
	21	5.942	8
	23	6.017	8
8	11	6.915	8
	11.5	7.000	8
	13.5	7.233	8
	17	7.550	8
	21	7.694	8
	23	7.694	8
10	11	8.600	9
	13.5	9.011	9
	15.5	9.246	9
12	11	10.211	9-1/4
	13.5	10.693	9-1/4
	17	11.097	9-1/4

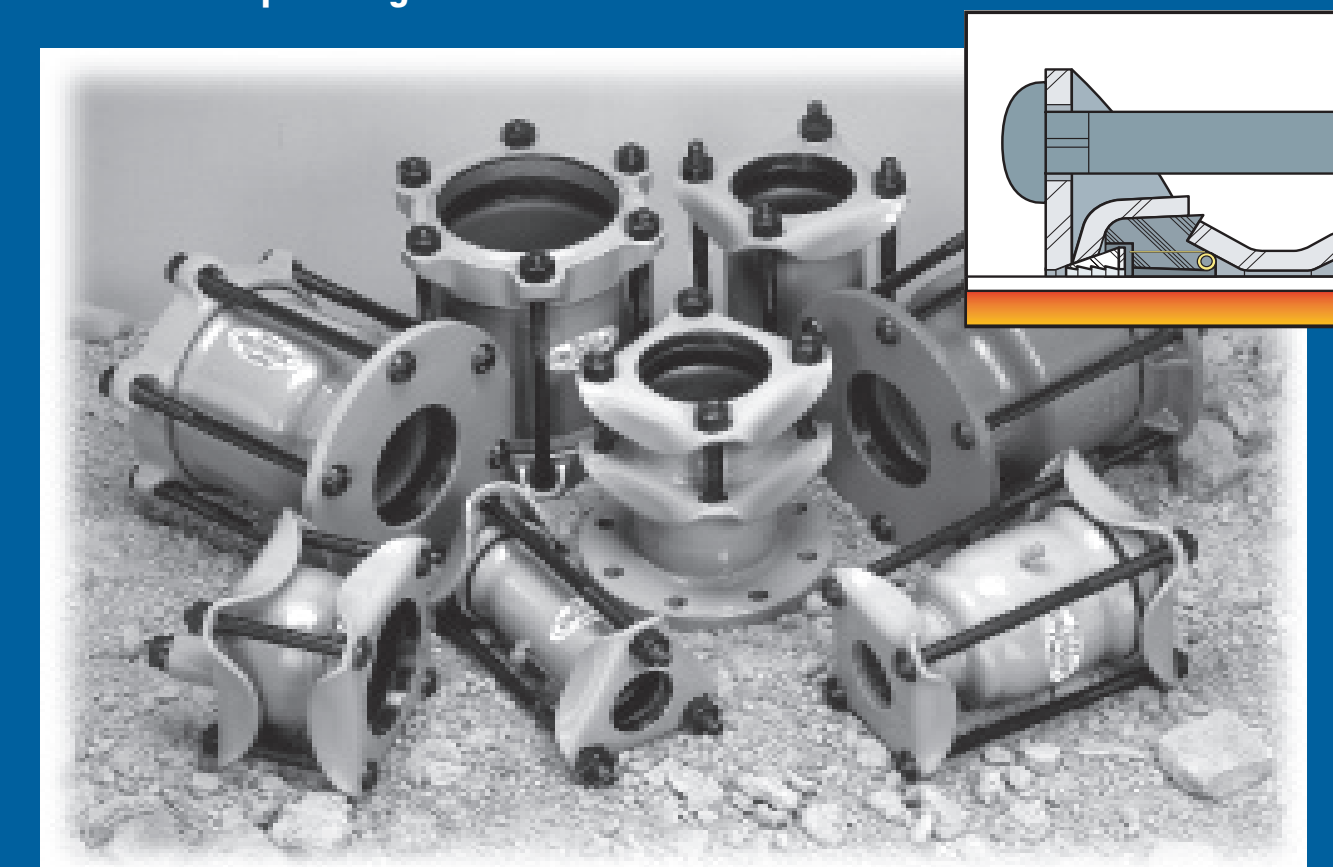


# Style 711 Bolted Seal & Restraining Couplings

*The Coupling that Seals AND Restrains!*

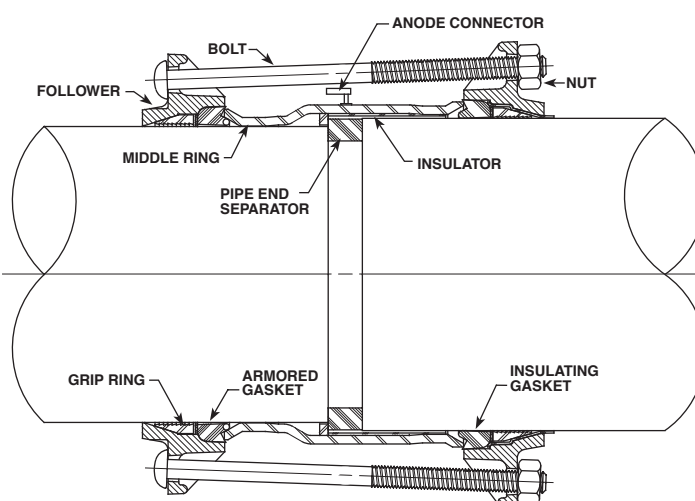
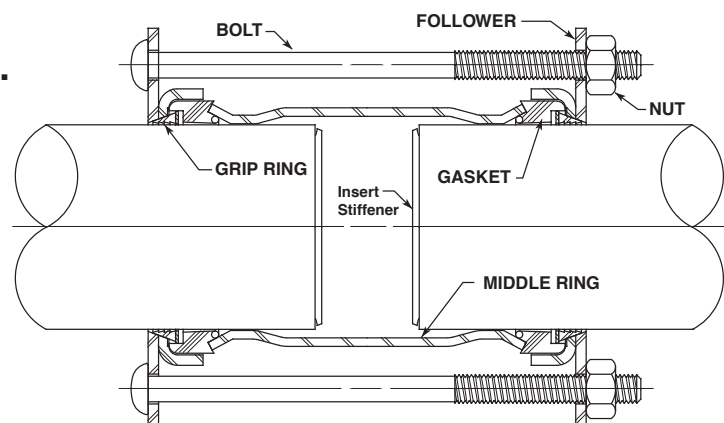


Available in Straight or Reducing Couplings, Flange Adapter and Line Cap Configurations



## Style 711 Conductive Coupling...

Style 711 conductive couplings feature Dresser armored pinned gaskets for cathodic protection, while 4140 carbon steel slotted grip rings provide pipe restraint. Middle ring and followers are constructed of 1010/1020 carbon steel. All Style 711 products are provided with AL-CLAD™ fusion-bonded epoxy coating as standard.



## Style 711 Insulating Coupling...

Style 711 insulating couplings offer the same seal and restraining principle, but feature insulating characteristics. PPO thermoplastic follower insulators, PP body insulators and HDPE/PVC pipe end spacers provide electrical isolation when joining pipes of dissimilar metals.

## Applicable Warnings for Style 711 Products

**WARNING**

**STAB MARK**

You **MUST** mark and stab the pipe into the coupling to the proper stab depth. Failure to do so could result in escaping line content that could ignite and cause property damage, serious injury or death.

**WARNING**

**P.E. PIPE**

**CHECK SDR**

Use proper insert in P.E. pipe end. Improper insert could result in escaping line content that could cause property damage, serious injury or death.

**WARNING**

NEVER reuse this coupling for making a joint in accordance with D.O.T. Title 49 Part 192, Subpart F, Paragraphs 192.273(b), 192.283(b), and 192.285 unless grip ring assembly, backup ring, gasket, bolts, nuts and followers have been replaced OR the installer has determined these components have not been damaged in any way, are in new condition, and an applicable joining procedure is used. When used for test purposes only, the installer shall determine conformance with Part 192 Subpart J, Paragraph 192.515(a).

Piping Specialties  
Dresser, Inc.  
41 Fisher Avenue, Bradford, PA 16701  
Phone: (814) 362-9200  
Fax: (814) 362-9344  
Email: dmdsales@dresser.com



www.dresser.com

FORM 711-699  
REV. 6.09/S1.5M