

**DRESSER**

## Style 731 Restraining Line Caps

For use on steel and cast iron pipe...

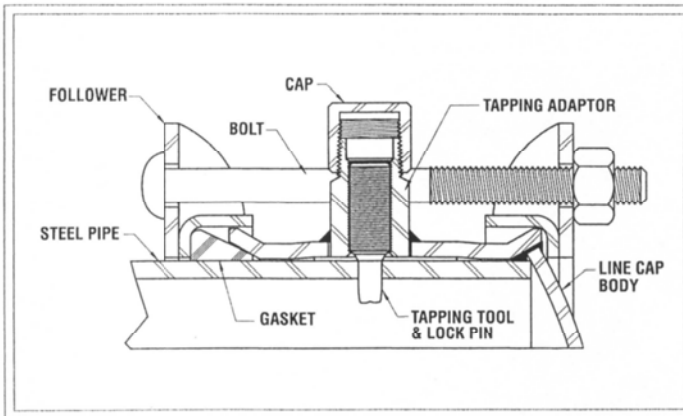
Dresser® Style 731 restraining line caps are designed to provide both locking and sealing functions. They eliminate the necessity of blocking the line cap on the pipe end when used at pressures up to the maximum rated test pressure. This is accomplished with steel lock pins, which protrude through the pipe wall.

With minimal training, installation can be made easily by any workman, without the need for special tools. A drill bit and drill guide are provided for drilling the pipe with a power drill.

Style 731 line caps are available in 4", 6", 8", 10" and 12" I.D. steel pipe sizes; cast iron pipe sizes include 3", 4", 6", 8", 10" and 12" C.I.P.

All sizes are shipped with factory applied Dresser shopcoat as standard. AL-CLAD® epoxy coating is available for corrosion protection far superior to that of field applied coatings. Anode connectors are also available upon request.

For additional information, contact your Dresser sales representative or call Gas Market Inside Sales at 814-362-9200.



Dresser AL-CLAD coated  
Style 731 restraining line cap

### STYLE 731 PRESSURE RATINGS

STEEL PIPE	
4", 6" & 8" I.D.	Rated Working Pressure: 100 psig Rated Test Pressure: 150 psig
10" & 12" I.D.	Rated Working Pressure: 60 psig Rated Test Pressure: 90 psig
CAST IRON PIPE	
3", 4", 6", 8", 10" & 12" C.I.P.	Rated Working Pressure: 30 psig Rated Test Pressure: 45 psig

**DRESSER**

Dresser Piping Specialties, Dresser, Inc.

41 Fisher Avenue  
Bradford, PA 16701  
Ph: (814) 362-9200  
Fax: (814) 362-9333  
Email: dmdsales@dresser.com

[www.dressercouplings.com](http://www.dressercouplings.com)

PRODUCT DATA

Dresser Piping Specialties

Form No. 731LC-7-03 R