

# Style 54, 57 & 73 Split Sleeves



**Style 57**  
For repair of 2", 3" and 4" cast iron and steel pipe

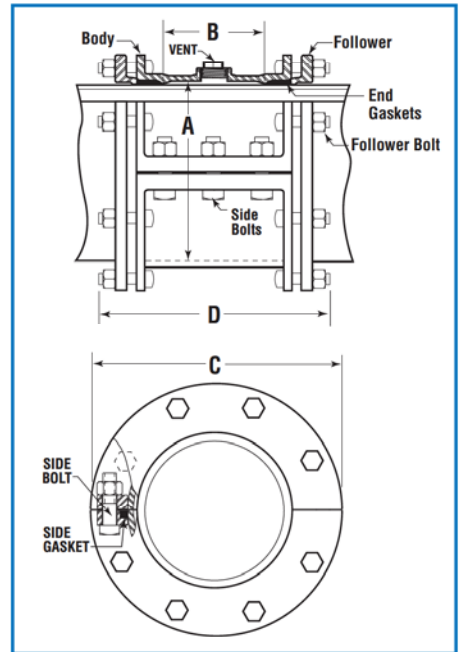
**Materials of Construction**  
Consult Factory Per Application

**Dresser® Style 54 Cast Split Sleeves** are designed to completely enclose and repair defective screw collars, plain or butt bell & spigot joints and double-bell circumferential welded joints. Style 54 sleeves can also be used to repair holes and splits up to 8" in length on 2", 3" and 4" steel pipe.

Style 54 sleeves are of rugged construction to permit safe repairs on high pressure gas and oil transmission pipelines. Each sleeve is air-tested with 60 psi air pressure and 1000 psi hydrostatic pressure before shipment. The sleeves are shipped factory assembled with the end parts packed inside the sleeve body with the installation instructions.

**Style 57 Cast Split Sleeves** enclose and repair holes, breaks, splits up to 8" in length on straight runs of 2" and 3" cast iron pipe. This sleeve can be quickly installed without service line shutdowns. Installation instruction and wrenches are shipped with each sleeve.

**Style 73 Cast Repair Sleeves** are similar in construction to the Style 57 and provide a fast, permanent repair on steel lines where moderate pressures are involved.



## Style 54 Sizes Specifications for Steel Pipe (500 PSI)

Nominal Size (ID)	Outside Diameter (OD)	End Bolts No./Diam. x Length	Side Bolts No./Diam. x Length	Inside Dimen.		Overall Dimen.		Vent Size (IPS)	Weight Approx. Ea. (lbs.)
				Diam. (A)	Length (B)	Diam. (C)	Length (D)		
2	2.375	8 - 1/2 x 4	10 - 3/4 x 2-1/2	6-7/8	11	11-3/4	20-1/8	1	75
3	3.500	8 - 5/8 x 4	10 - 3/4 x 2-1/2	8	11	13	20-1/8	1-1/4	85
4	4.500	8 - 5/8 x 4	12 - 3/4 x 3	10-1/2	14-1/4	16-1/8	25-1/2	2	154

## Style 73 Sizes Specifications for Steel Pipe (500 PSI)

Nominal Size (ID)	Outside Diameter (OD)	End Bolts No./Diam. x Length	Side Bolts No./Diam. x Length	Inside Dimen.		Overall Dimen.		Vent Size (IPS)	Weight Approx. Ea. (lbs.)
				Diam. (A)	Length (B)	Diam. (C)	Length (D)		
2	2.375	8 - 9/16 x 3-1/2	6 - 5/8 x 2-1/2	3-15/16	7	8-1/2	16-1/2	1	47
3	3.560	8 - 5/8 x 3-1/2	6 - 5/8 x 2-1/2	5 - 5/16	7	10-1/8	16-1/4	1-1/4	70

## Style 57 Sizes Specifications for Cast Iron Pipe (250 PSI)

Nominal Size (ID)	Outside Diameter (OD)	End Bolts No./Diam. x Length	Side Bolts No./Diam. x Length	Inside Dimen.		Overall Dimen.		Vent Size (IPS)	Weight Approx. Ea. (lbs.)
				Diam. (A)	Length (B)	Diam. (C)	Length (D)		
2	2.375	8 - 9/16 x 3-1/2	6 - 5/8 x 2-1/2	3-15/16	7	8-1/2	16-1/4	1	47
2	2.625	8 - 5/8 x 3-1/2	6 - 5/8 x 2-1/2	3-15/16	7	8-1/2	16-1/4	1	47
3	3.660	8 - 5/8 x 3-1/2	6 - 5/8 x 2-1/2	5 - 5/16	7	10-1/2	16-1/4	1-1/4	68
3	3.800	8 - 5/8 x 3-1/2	6 - 5/8 x 2-1/2	5 - 5/16	7	10-1/2	16-1/4	1-1/4	68
3	3.960	8 - 5/8 x 3-1/2	6 - 5/8 x 2-1/2	5 - 5/16	7	10-1/2	16-1/4	1-1/4	68