

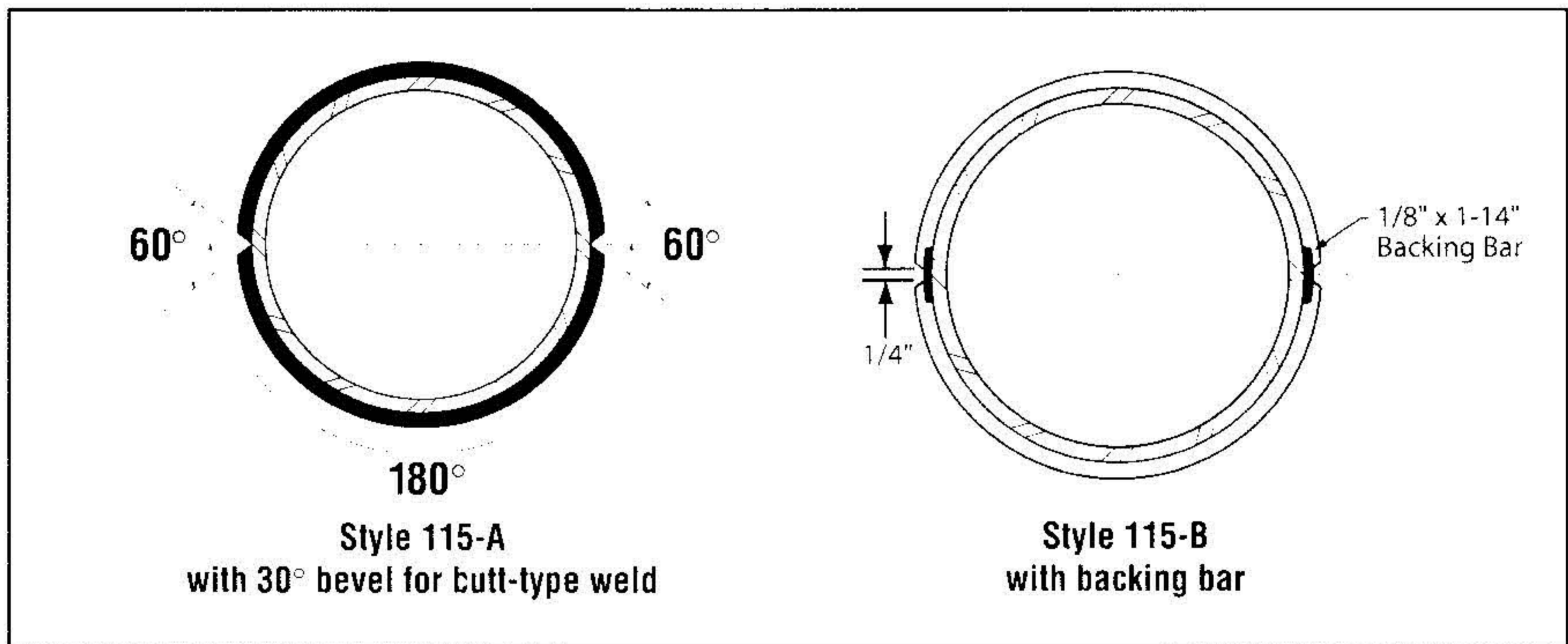
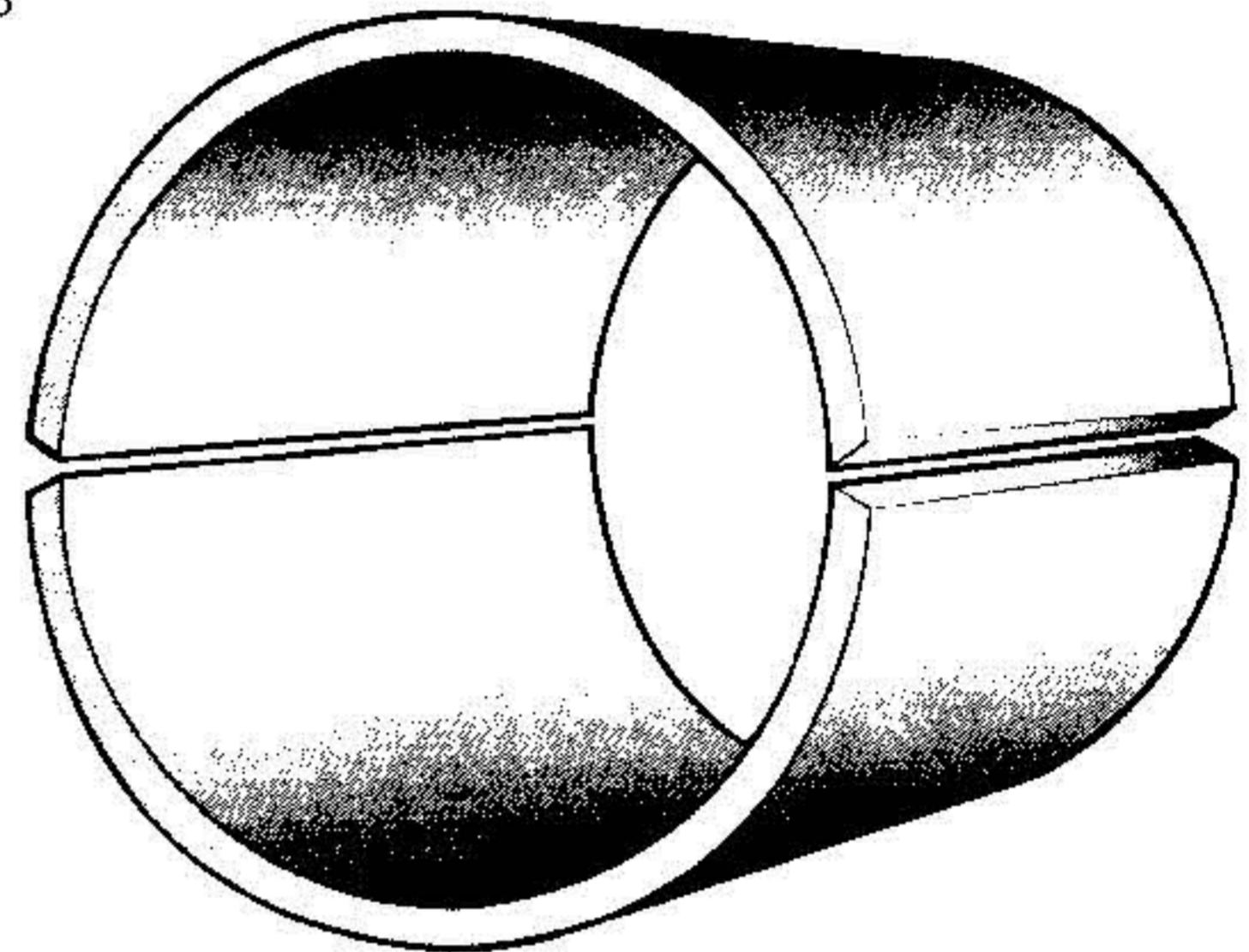


# Style 115 Reinforcing Sleeves

## Full-encirclement weld-over sleeves for repair and reinforcement of damaged or defective pipelines

Assure the safety of field joints or repair defective pipeline sections by installing Dresser Style 115 reinforcing sleeves. Product lends itself to field welding, without preheating, using ordinary field welding procedures. Sleeves halves come factory-prepared with standard 30° welding bevel, machine flame cut for uniformity and ease of welding. A pre-drilled vent hole can be provided to preclude pressure build up between sleeve and pipe.

- Custom-fabricated to your specifications from high-strength steel plate assuring weldability without sacrificing yield and tensile strength
- Supplied in standard thicknesses of 3/16" thru 1/2" and lengths up to 10 feet. Larger sizes and lengths available upon request...Any order can be filled to suit your field requirements!



### Materials of Construction

**Body:** High strength, low carbon steel meeting ASTM A572 GR 50/ ASTM A588

**Yield Strength**  
50,000 PSI Min.

**Temperature Ratings**  
-20 to +150F

**NOTE:** Style 115 design pressure for class location is determined using the formula shown in D.O.T. Regulation 192, Section 192.105, assuming an 80% joint factor for the longitudinal field weld. For Oil applications refer to Class 1 Ratings as per D.O.T. Regulation 195.

**ALL STYLE 115 SLEEVES P.O.A.  
CALL 814-362-9200**

For product sizes and configurations not listed call the Dresser Inside Sales Group