

## Style 502 Service Head Adapter

**Provides versatility as a regular Riser Adapter, a Male Adapter for P. E. Renewal Service, or a Service Head Adapter for Steel and P. E. Pipe Service Transitions**



The Dresser® Style 502 Service Adapter is a compact, versatile adapter that is quickly and easily installed using an ordinary pipe wrench. Style 502 adapters are completely assembled, packaged individually and shipped with the proper insert stiffener\* as specified by the customer. Each Dresser stiffener is color-coded to correspond to the wall thickness of the tubing on which it is being used.

When properly installed, bottom-out position of the nut to the adapter body can be visually confirmed. The time-proven Dresser gasket sealing principle creates a high pressure seal. As the nut is tightened, the gasket is compressed and the grip ring mechanism locks against the pipe resulting in a permanent, leak-proof service connection.

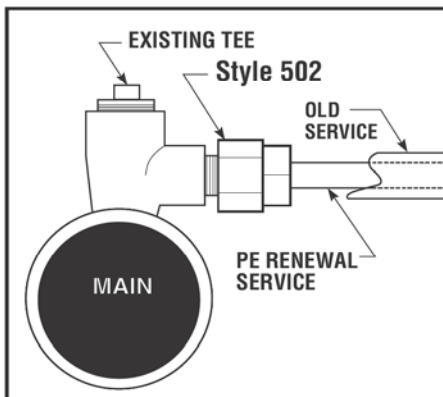
Style 502 Adapters are rated for working pressures up to 150 PSI at a temperature range from -20 to +140°F. Service connections made in accordance with the Dresser Style 502 Installation Instructions meet or exceed the requirements of D.O.T. 192.283(b).

STIFFENER COLOR CODE	
Tubing Wall (Any Dia.)	Color
.062	Red
.077	Blue
.090	Steel (plain)
.099/.101/.103	Gold
.121	Black

**Note:** See chart on back for size specifications

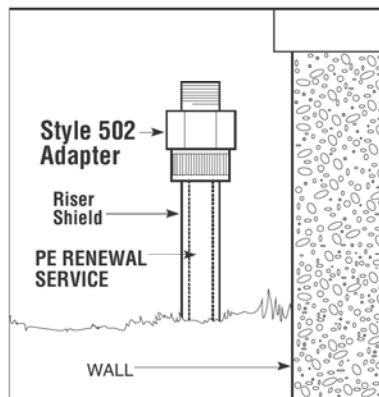
### Use as a Male Adapter...

Compact design allows for quick, easy installation for P. E. renewal service connections.



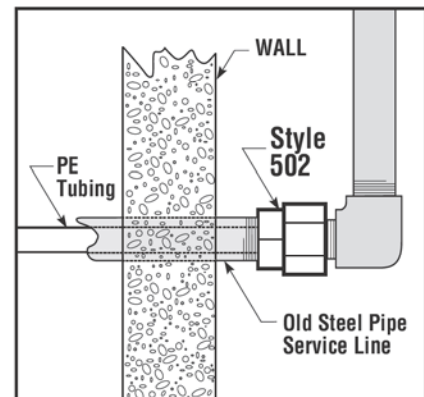
### Use as a Riser Adapter...

Shipped completely assembled, riser adapter connections assure all components are properly installed.



### Use as a Service Head Adapter...

Reuse of existing meter set piping is facilitated...with tightening of the nut the new service connection is complete!

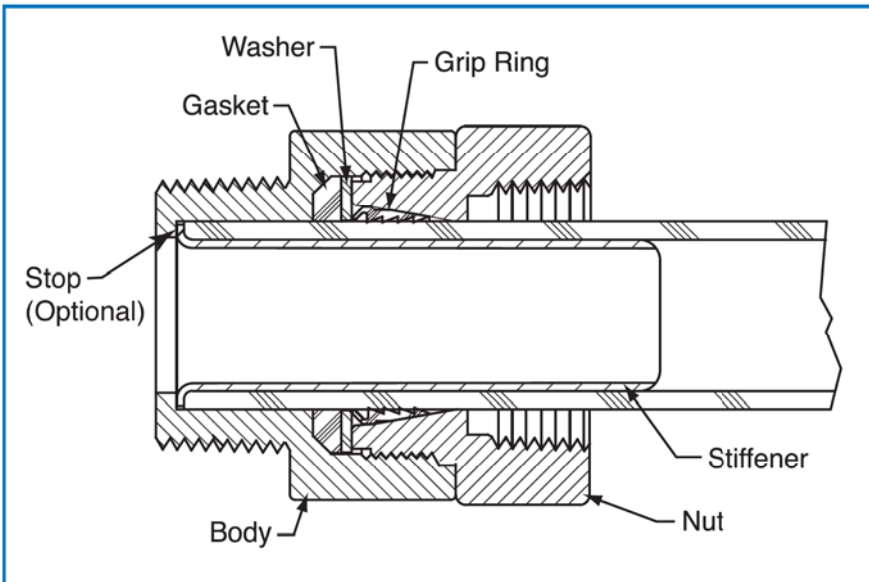
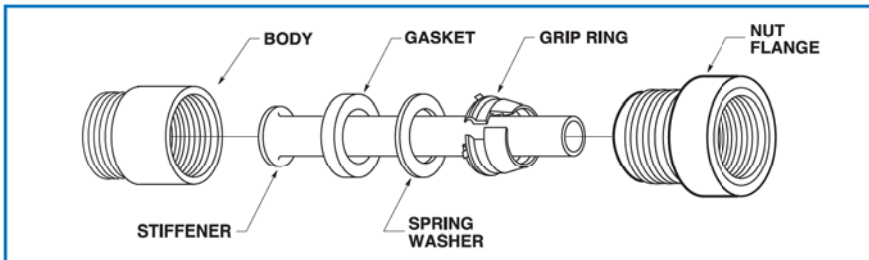


\*For use on polyethylene pipe listed in ASTM D2513. Proper Dresser insert stiffener must be used.

# Dresser Style 502 Adapter Size Specifications

For Threaded Steel to P. E. Applications. Specify Insert Required

Part Number	MIPS (In.)	FIPS (In.)	ADAPTER DESCRIPTION Size (In.)	Pipe Wall
05020001001	3/4	3/4	x 1/2" CTS W/STOPS	.090
05020001002	3/4	3/4	x 1/2" CTS WITHOUT STOPS	.090
05020038001	3/4	1-1/2	x 1/2" CTS W/STOPS	.090
05020035001	3/4	1-1/4	x 1/2" CTS W/STOPS	.090
05029035001	3/4	1-1/4	x 1/2" CTS W/STOPS & Counterbore	.090
05029001001	3/4	3/4	x 1/2" CTS W/STOPS & Counterbore	.090
05020012001	3/4	1	x 1/2" CTS W/STOPS	.090
05020013001	3/4	1-1/4	x 1" CTS /STOPS	.099 - .103
05020023001	1	1-1/4	X 1" CTS W/STOPS	.090
05020019002	1-1/4	1-1/4	x 1" CTS WITHOUT STOPS	.099 - .103
05020020001	1-1/4	1-1/4	x 1" CTS W/STOPS	.090
05020019001	1-1/4	1-1/4	x 1" CTS W/STOPS	.099 - .103
05020042001	1-1/4	1-1/2	x 1-1/4" CTS W/STOPS	.090
05020029001	1-1/2	1-1/2	x 1-1/4" CTS W/STOPS	.090
05020047001	1-1/2	2	x 1-1/4" CTS W/STOPS	.090



**WARNING**

**P.E. PIPE**

**CHECK SDR**

Use proper insert in P.E. pipe end. Improper insert could result in escaping line content that could cause property damage, serious injury or death.

**WARNING**

**STAB MARK**

You MUST mark and stab the pipe into the fitting to the proper stab depth. Failure to do so could result in escaping line content that could cause property damage, serious injury or death.

**Piping Specialties, Dresser, Inc.**  
 41 Fisher Avenue, Bradford, PA 16701  
 Phone: (814) 362-9200  
 Fax: (814) 362-9344  
 Email: dmdsales@dresser.com



www.dresser.com