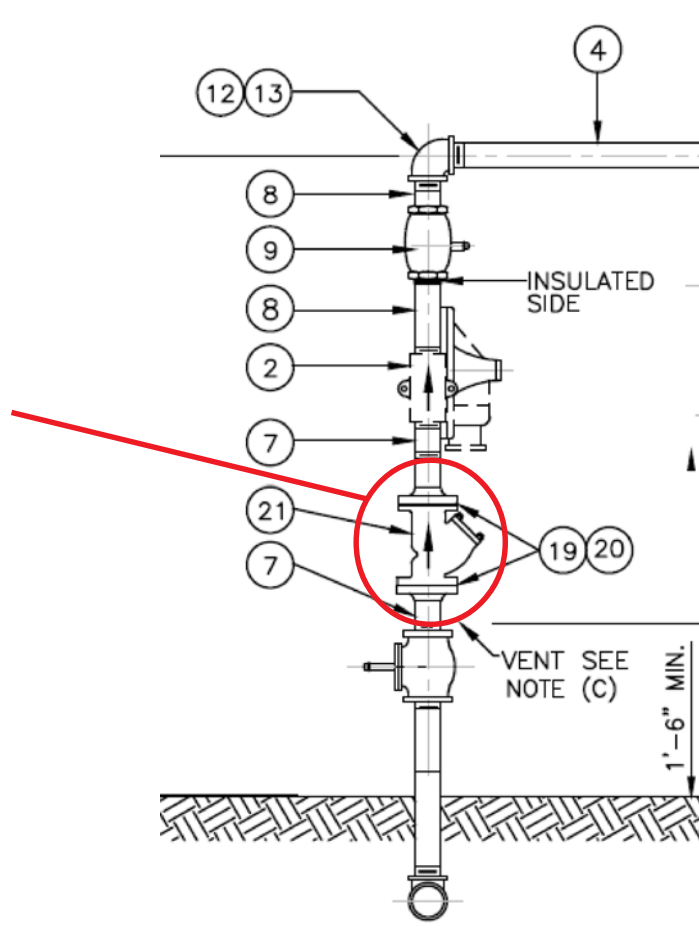




2" FLANGED Y-STRAINERS FOR METER SET



FOR conEdison TERRITORY



Excerpt from ConEd 2015 Yellow Book

W-R#	Description	Model#
1756002	2" Flanged Y-Strainer	YS-61-CS
<p>* YS-61-CS Y-strainers are modified to Con Edison's engineering specification which includes: flanged carbon steel body; raised face flanges; natural gas rated washers; no blow-off plug; no gauge tap plugs; and a 40 mesh reinforced straining element.</p>		