



Job Name: _____

Job Location: _____

Contractor: _____

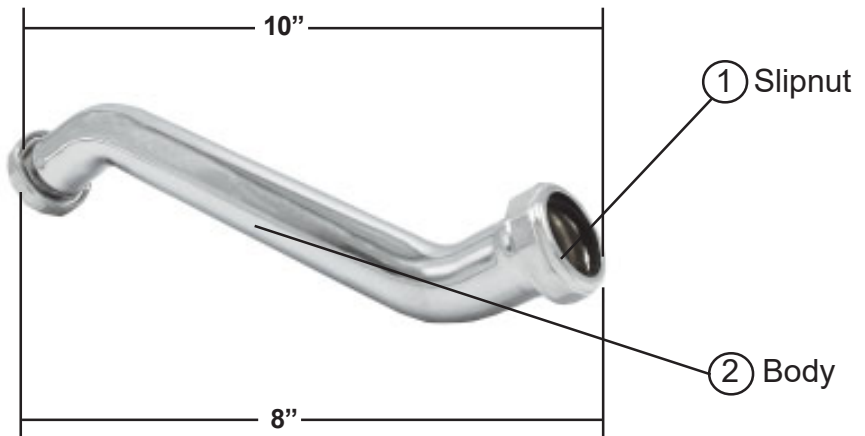
Engineer: _____

Approval: _____

Brass Tubular Offset - 22 Gauge

Design Features:

- Tubular Brass Construction
- 22 Gauge
- Imported



Material Specifications		
No.	Part	Material
1	Slipnut	Plated Zinc Die-Cast
2	Body	Tubular Brass
3	Washer	Rubber

W-R#	Size	Finish	Weight	Min	Box
0115002	1-1/4"	Rough Brass	0.92 lbs.	1	25
0115006	1-1/4"	Chrome-Plated	0.92 lbs.	1	25
0115004	1-1/2"	Rough Brass	1.12 lbs.	1	25
0115008	1-1/2"	Chrome-Plated	1.12 lbs.	1	25