

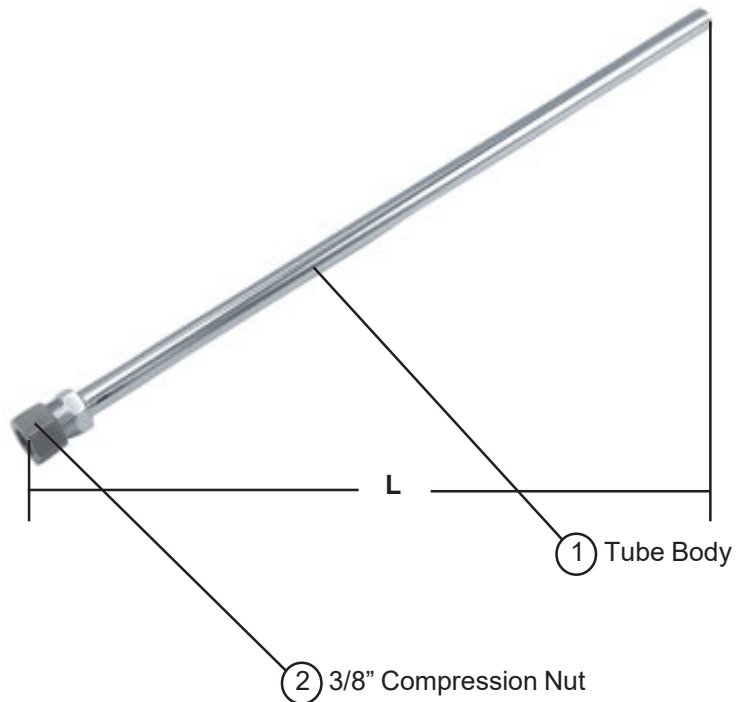


Job Name: _____
 Job Location: _____
 Contractor: _____
 Engineer: _____
 Approval: _____

Compression "Delta" Style Supply Tube

Design Features:

- Chrome Finish
- Copper Construction
- Furnished with 3/8" Compression Nut
- Imported



Material Specifications		
No.	Part	Material
1	Tube Body	CP Copper
2	3/8" Compression Nut	CP Brass
3	Ferrule	Brass

W-R#	Size OD	L	Weight	Min	Box
0215006	3/8"	12"	.16 lbs.	1	100
0215008	3/8"	20"	.24 lbs.	1	100