



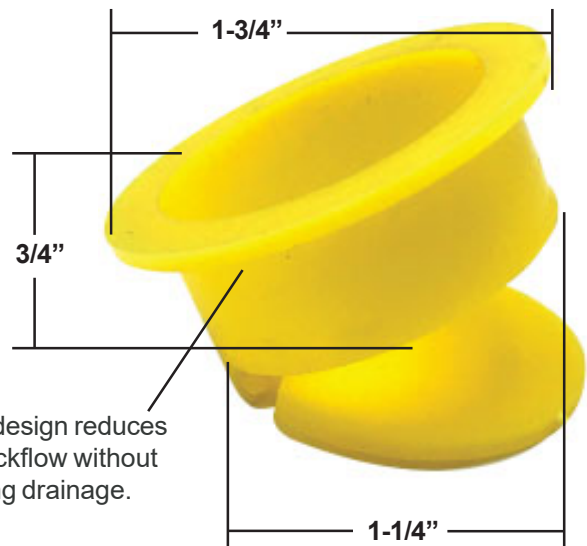
Job Name: _____
 Job Location: _____
 Contractor: _____
 Engineer: _____
 Approval: _____

Sud Stopper Tailpiece Checkvalve

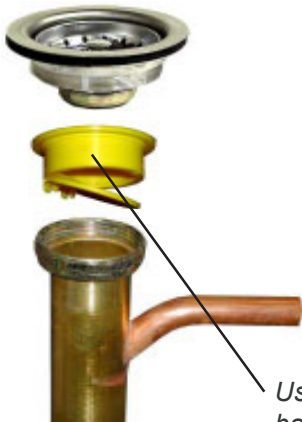
Design Features:

- PVC Construction
- Hinged Design
- Fits 1-1/2" Tailpiece
- Domestic

Use: Prevents suds backup into sink from dishwashers, etc.



Hinged design reduces suds backflow without restricting drainage.



Use inline between basket strainer and dishwasher tailpiece

Material Specifications	
Part	Material
Checkvalve Body	Yellow PVC

W-R#	Description	Weight	Package
0414502	Tailpiece Checkvalve	.010 lbs.	12 Per Bag