



Job Name: _____

Job Location: _____

Contractor: _____

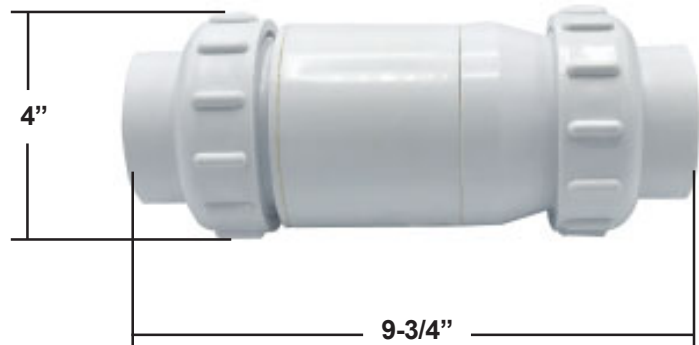
Engineer: _____

Approval: _____

“Silent-Check” Sewage Ejector Check Valve - True Union -

Design Features:

- Heavy Duty ABS Construction
- True Union Seal O-Ring Seal Design
- Made in the USA



W-R#	Pipe Size	Description	Weight	OAL
0414806	2"	Silent Check - True Union -	1.29 lbs.	9-3/4"