



Job Name: \_\_\_\_\_

Job Location: \_\_\_\_\_

Contractor: \_\_\_\_\_

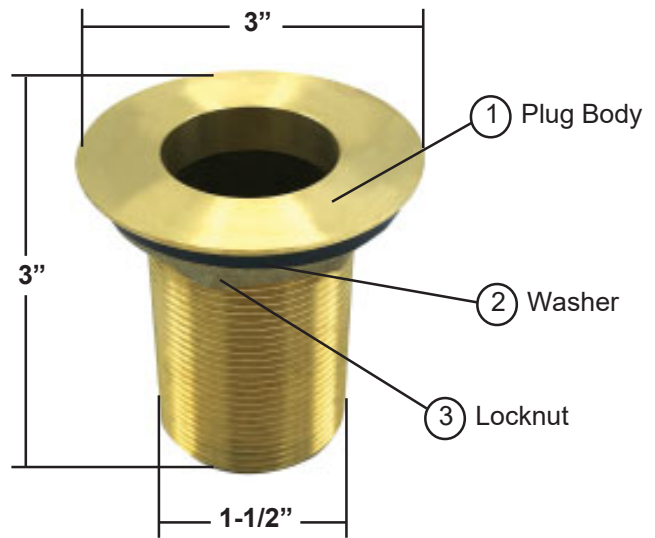
Engineer: \_\_\_\_\_

Approval: \_\_\_\_\_

## 3" Long Shank Brass Sink Plug

### Design Features:

- Brass Construction
- Ideal for Old Cast Iron Installations
- Furnished with Washer and Locknut
- Imported



Material Specifications		
No.	Part	Material
1	Plug Body	Brass
2	Washer	Rubber
3	Locknut	Die Cast

W-R#	Description	Weight	Min	Box
0506500	3" Brass Plug	.905 lbs.	1	5