

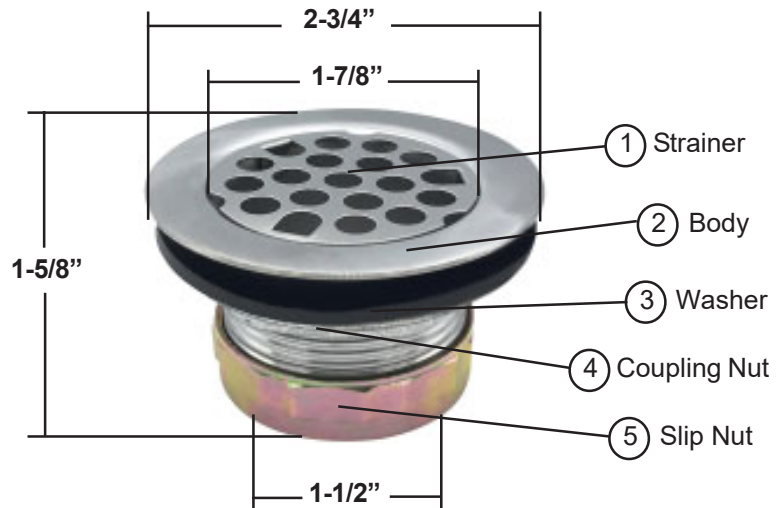


Job Name: \_\_\_\_\_  
 Job Location: \_\_\_\_\_  
 Contractor: \_\_\_\_\_  
 Engineer: \_\_\_\_\_  
 Approval: \_\_\_\_\_

## Duplex Sink Strainer with Grid

### Design Features:

- Available in Forged Brass or Steel Construction
- Furnished with Three Prong Strainer
- Imported



Material Specifications		
No.	Part	Material
1	Strainer	CP Steel
2	Body	0508002 Forged Brass
		0509002 Stainless Steel
3	Washer	Rubber
4	Coupling Nut	Cast Zinc
5	Slip Nut	Cast Zinc
	Slip Nut Washer	Nylon

W-R#	Description	Weight	Min	Box
0508002	CP Brass	.455 lbs.	1	12
0509002	Stainless Steel	.288 lbs.	1	12
0526004	Strainer Only	.0054 lbs.	12	12