



Job Name: \_\_\_\_\_

Job Location: \_\_\_\_\_

Contractor: \_\_\_\_\_

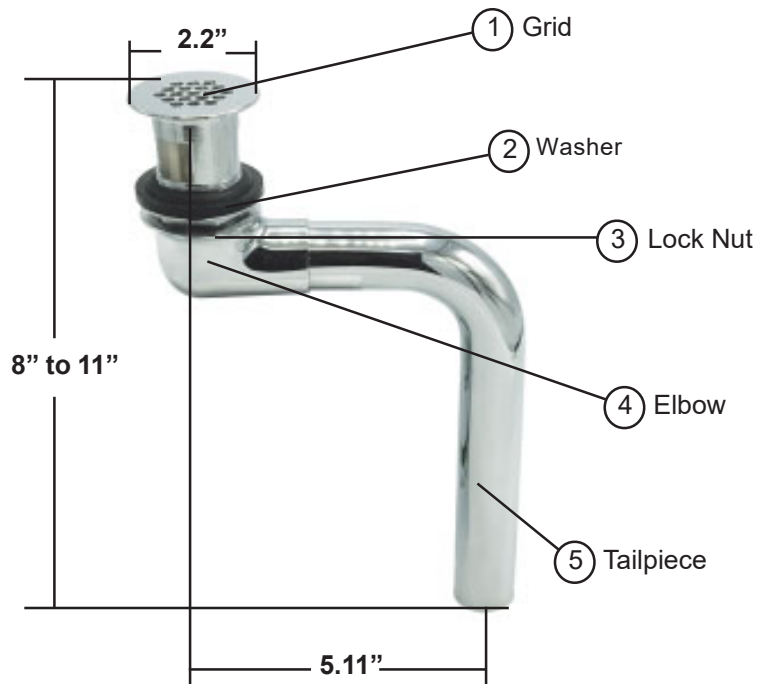
Engineer: \_\_\_\_\_

Approval: \_\_\_\_\_

## Chrome-Plated Cast Brass Offset 1-1/4" Grid Drain

### Design Features:

- Cast Brass Construction
- Chrome Finish
- 17 Gauge Offset Tubular Brass Tailpiece
- Individually Boxed
- Imported



Material Specifications		
No.	Part	Material
1	Grid	CP Cast Brass
2	Washer	Rubber
3	Lock Nut	ZP Brass
4	Elbow	CP Cast Brass
5	Tail Piece	CP Brass - 17 Ga.
	Friction Washer	Fiber

W-R#	Description	Weight	Min	Box
0512508	Offset	1.610 lbs.	1	25