



Job Name: _____

Job Location: _____

Contractor: _____

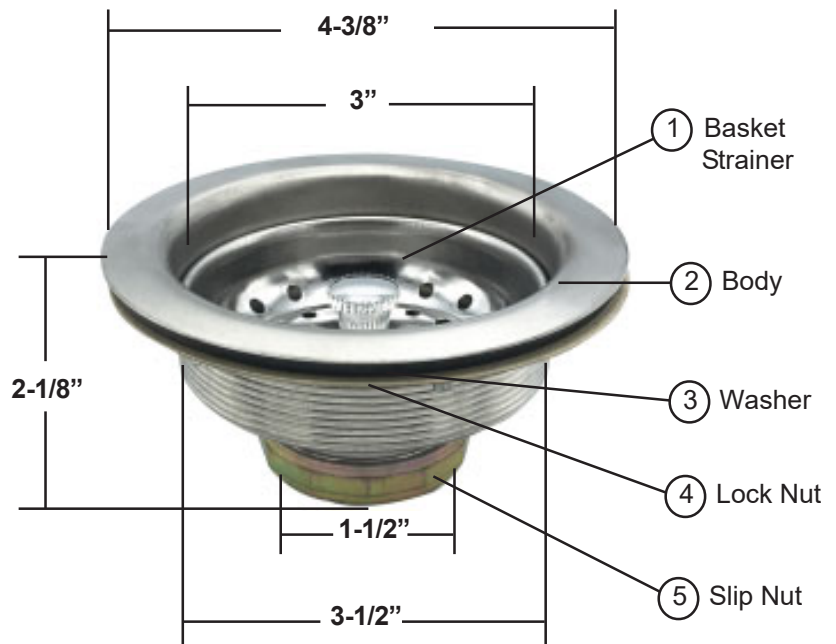
Engineer: _____

Approval: _____

Stainless Steel Duo Strainer

Design Features:

- Stainless Steel Construction
- Furnished with Single Prong Basket Strainer
- Imported



Material Specifications		
No.	Part	Material
1	Basket Strainer Strainer Seat	Stainless Steel Rubber
2	Body	Stainless Steel
3	Washer	Rubber
4	Lock Nut	Zinc Die Cast
5	Slip Nut	Zinc Die Cast
	Friction Ring	Paper
	Slip Nut Washer	Nylon

W-R#	Description	Weight	Min	Box
0515002	SS Duo	.589 lbs.	1	50
0519002	Basket Strainer Only	.104 lbs.	1	50
2713002	Rubber Duo Strainer Washer	.036 lbs.	25	25
2713004	Metal Duo Strainer Washer	.048 lbs.	12	12
0907002	Die Cast Duo Strainer Locknut	.110 lbs.	1	12