



Job Name: _____

Job Location: _____

Contractor: _____

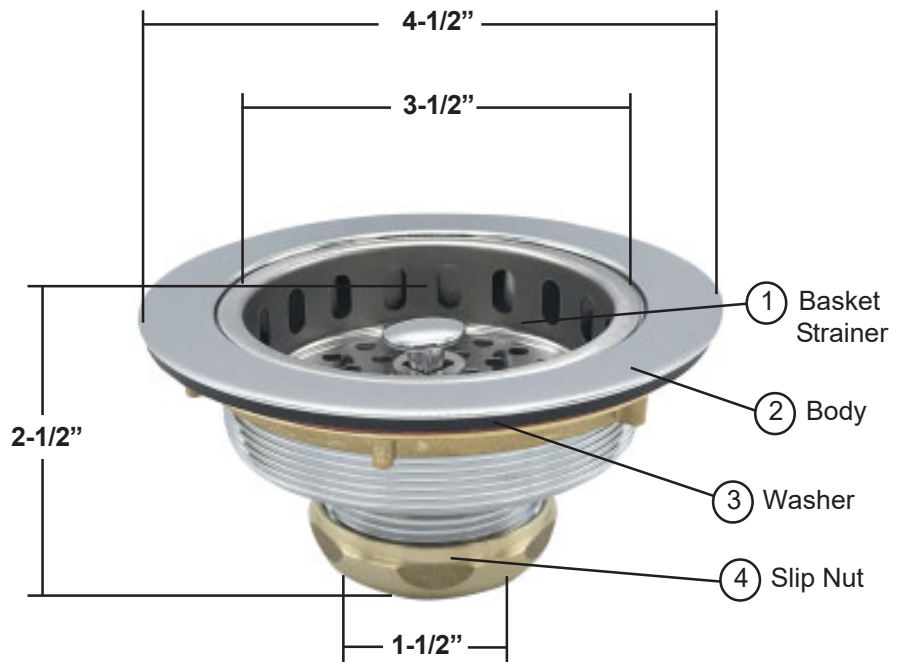
Engineer: _____

Approval: _____

Chrome-Plated Heavy Duty Brass Duo Strainer

Design Features:

- Brass Construction
- Chrome Finish
- Similar to Kohler Strainer
- Imported



Material Specifications		
No.	Part	Material
1	Basket Strainer	Stainless Steel
	Strainer Seat	CP Brass
2	Body	CP Brass
3	Washer	Rubber
4	Slip Nut	Brass
	Lock Nut	Brass
	Friction Ring	Fiber
	Slip Nut Washer	Nylon

W-R#	Description	Weight	Min	Box
0515004	CP Brass Duo	1.14 lbs.	1	50
0518500	Basket Strainer Only	.259 lbs.	1	50
2713002	Rubber Duo Strainer Washer	.036 lbs.	25	25
2713004	Metal Duo Strainer Washer	.048 lbs.	12	12
0907002	Die Cast Duo Strainer Locknut	.110 lbs.	1	12