

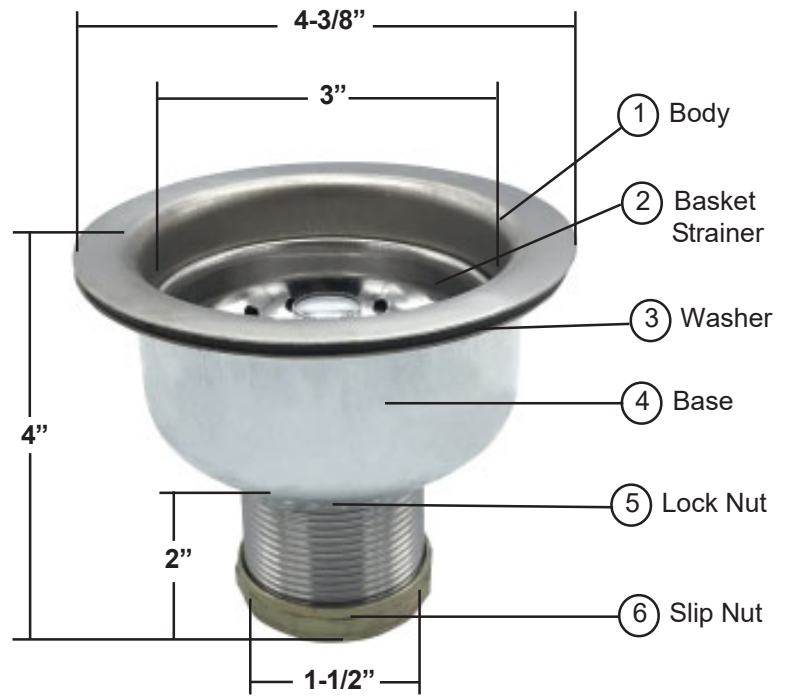


Job Name: \_\_\_\_\_  
 Job Location: \_\_\_\_\_  
 Contractor: \_\_\_\_\_  
 Engineer: \_\_\_\_\_  
 Approval: \_\_\_\_\_

## Stainless Steel Duo Strainer

### Design Features:

- Stainless Steel Construction
- Furnished with Single Prong Basket Strainer
- Imported



Material Specifications		
No.	Part	Material
1	Body	Stainless Steel
2	Basket Strainer	Stainless Steel
	Strainer Seat	Rubber
3	Washer	Rubber
4	Base	Steel
4	Lock Nut	Zinc Die Cast
5	Slip Nut	Zinc Die Cast
	Friction Ring	Paper
	Slip Nut Washer	Nylon

W-R#	Description	Weight	Min	Box
<b>0515006</b>	Deep Cup Duo	.888 lbs.	1	50
<b>0519002</b>	Basket Strainer Only	.104 lbs.	1	50
<b>2713002</b>	Rubber Duo Strainer Washer	.036 lbs.	25	25
<b>2713004</b>	Metal Duo Strainer Washer	.048 lbs.	12	12