



Job Name: _____

Job Location: _____

Contractor: _____

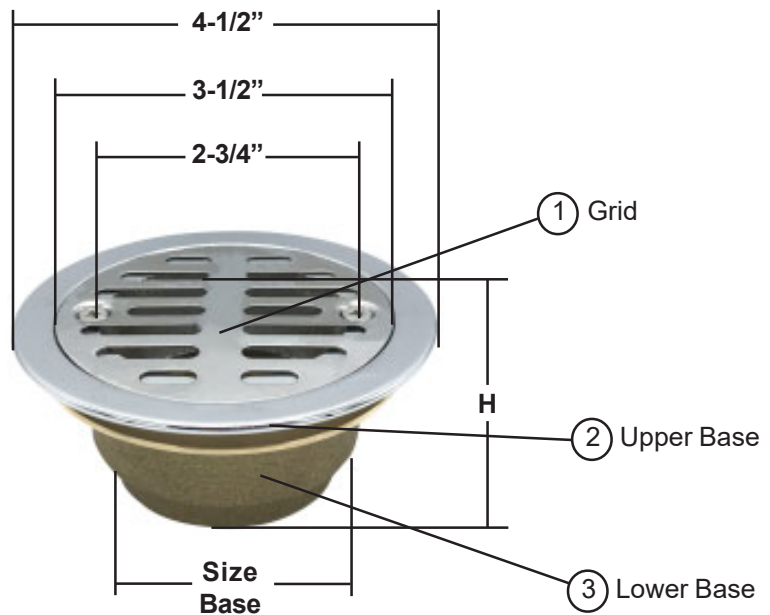
Engineer: _____

Approval: _____

CP Brass Urinal/Shower Strainer

Design Features:

- Grid
- Stainless Steel Construction
- 5 Variable Lengths Slots
- .225" Wide Slots
- .275" Between Slots
- Brass Base
- Imported



Material Specifications		
No.	Part	Material
1	Grid	Stainless Steel
2	Upper Base	CP Brass
3	Lower Base	Rough Brass

W-R#	Size Base	H	Weight	Min	Box
0521002	2" IPS	1-3/4"	1.13 lbs.	1	24
0521004	2" DWV	2-1/4"	1.20 lbs.	1	24