



Job Name: \_\_\_\_\_

Job Location: \_\_\_\_\_

Contractor: \_\_\_\_\_

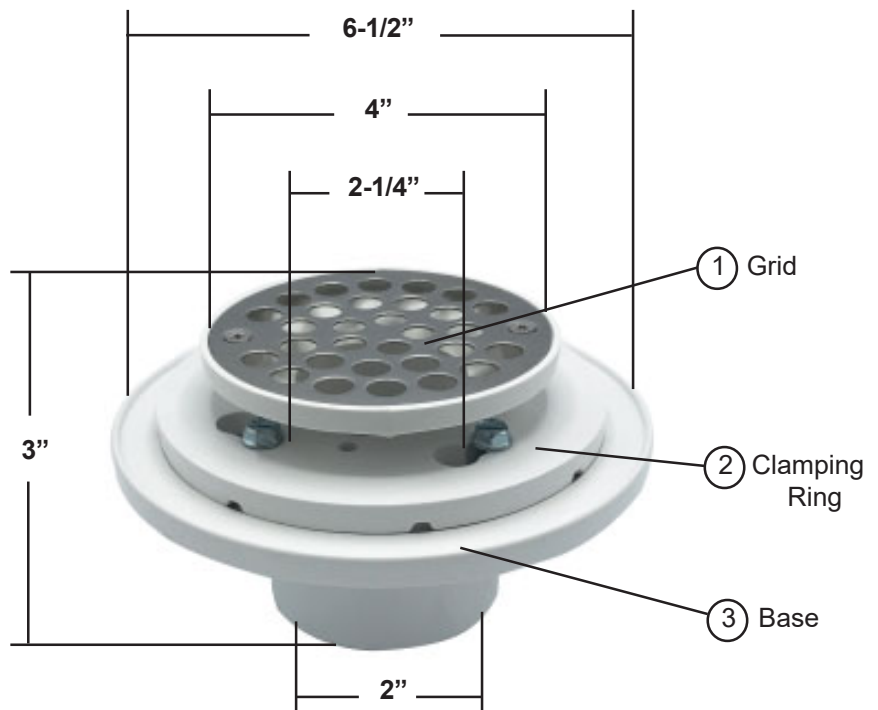
Engineer: \_\_\_\_\_

Approval: \_\_\_\_\_

## Shower Pan Liner Drain with SS Strainer - Standard -

### Design Features:

- Grid
- Stainless Steel Construction
- 30 Circular Hole Grid
- .425" Diameter Outer Holes
- .375" Diameter Inner Holes
- PVC Base
- Imported



Material Specifications		
No.	Part	Material
1	Grid	Stainless Steel
2	Clamping Ring	PVC
3	Base	PVC

W-R#	Description	Weight	Min	Box
0523000	Solvent	1.33 lbs.	1	12