



Job Name: _____

Job Location: _____

Contractor: _____

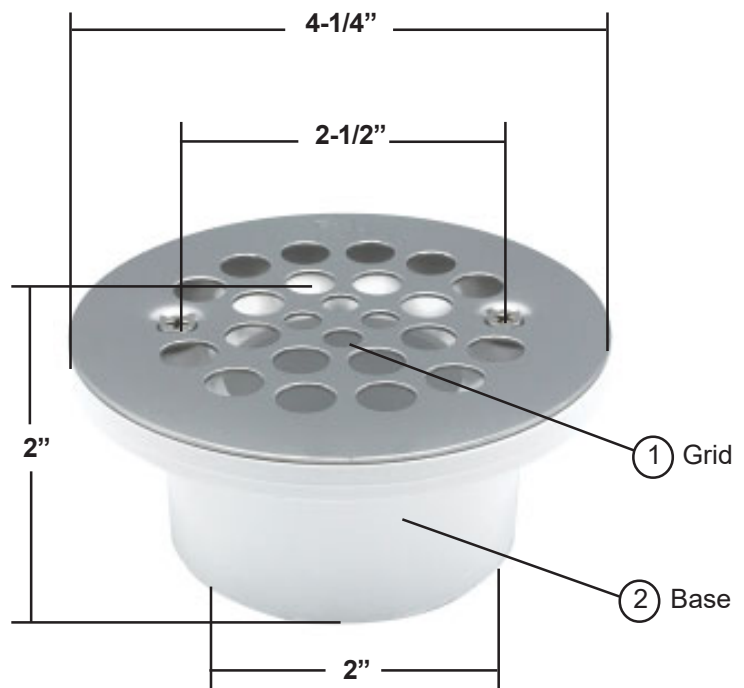
Engineer: _____

Approval: _____

PVC General Purpose Drain - 2"

Design Features:

- Grid
- Stainless Steel Construction
- 22 Circular Hole Grid
- .4" Diameter Outer Holes
- .3" Diameter Inner Holes
- PVC Base
- Imported



Material Specifications		
No.	Part	Material
1	Grid	Stainless Steel
2	Base	PVC



W-R#	Description	Weight	Min	Box
0523050	2" Solvent	.484 lbs.	1	12