



Job Name: _____

Job Location: _____

Contractor: _____

Engineer: _____

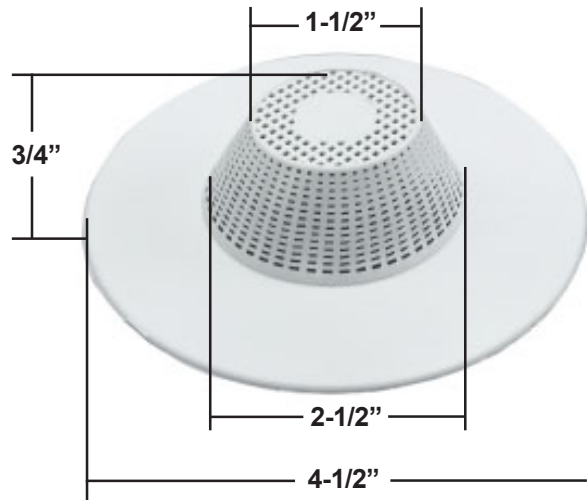
Approval: _____

Hair Snare

Design Features:

- Vinyl Construction
- 4-1/2" Diameter x 3/4" Depth
- Imported

Use: Keeps hair and other objects from clogging drains. Fits most sinks, wash trays, and tub drains.



Material Specifications	
Part	Material
Snair Body	White Vinyl

W-R#	Size	Weight	Min	Box
0527500	4-1/2"	.063 lbs.	6	6