



Job Name: _____
 Job Location: _____
 Contractor: _____
 Engineer: _____
 Approval: _____

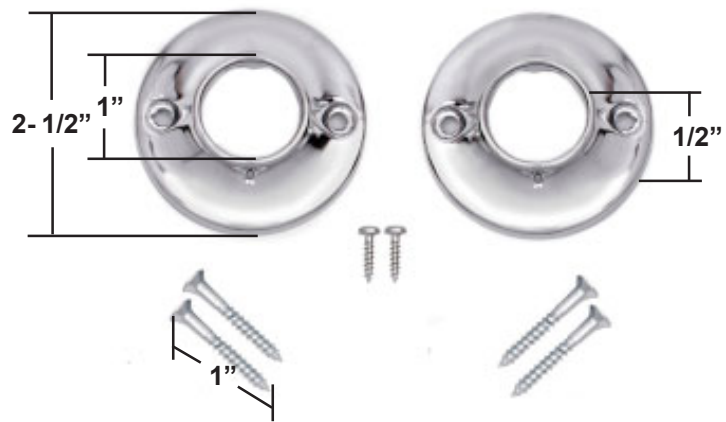
Stamped Steel Shower Bar Flange

Design Features:

- Stamped Steel Construction
- Chrome-Plated
- For 1" OD Shower Bar
- Imported

Includes:

- Flange (2)
- Flat Phillips Head Screws (4)



Material Specifications and Dimensions		
Part	Material	Dimensions
Flange Body	Stamped Steel	2-1/2" OD x 1" ID x 1/2"
Screws	CP Steel	3/16" x 1"

W-R#	Description	Weight	Min	Box
0603002	Flange	.0560 lbs.	1 pr.	50 pr.