



Job Name: _____

Job Location: _____

Contractor: _____

Engineer: _____

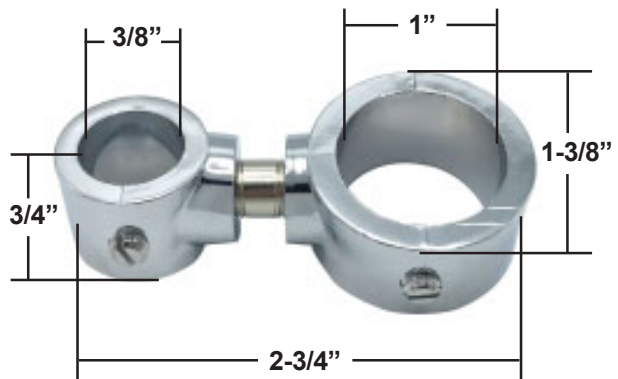
Approval: _____

Chrome-Plated Riser to Ring Bracket

Design Features:

- Plastic Construction
- Chrome-Plated
- Imported

Use: For attaching add-a-shower risers to 1" shower rod.



Material Specifications	
Part	Material
Bracket Body	CP Plastic
Set Screws	CP Metal

W-R#	Size	Weight	Min	Box
0606502	3/8" to 1"	.079 lbs.	1	12