



Job Name: _____

Job Location: _____

Contractor: _____

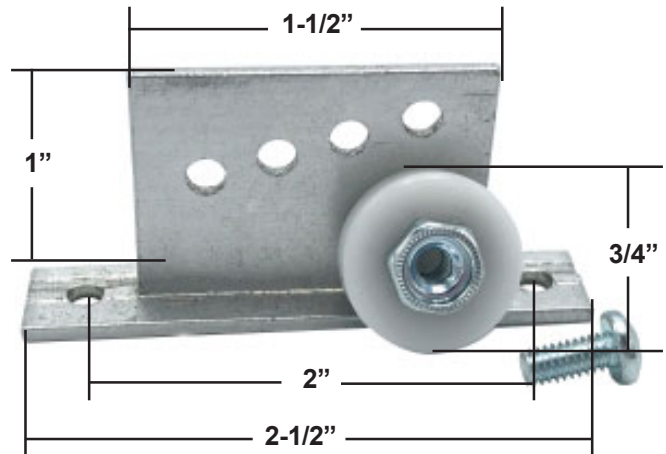
Engineer: _____

Approval: _____

Universal Shower Door Bracket & Roller

Design Features:

- 4 Holes Allow Universal Height Adjustment
- Furnished with:
 Steel Bracket (1)
 3/4" Diameter Flat Roller (1)
 1/8" x 3/8" Phillips Head Screw (1)
- Domestic



Material Specifications	
Part	Material
Bracket Body	Steel
Screw	Steel
Roller	Nylon and Steel

W-R#	Description	Weight	Min	Box
0607102	Bracket	.040 lbs.	1	10
SDP08	3/4" Flat Wheel Only	.040 lbs.	1 pr.	10 pr.