



Job Name: _____

Job Location: _____

Contractor: _____

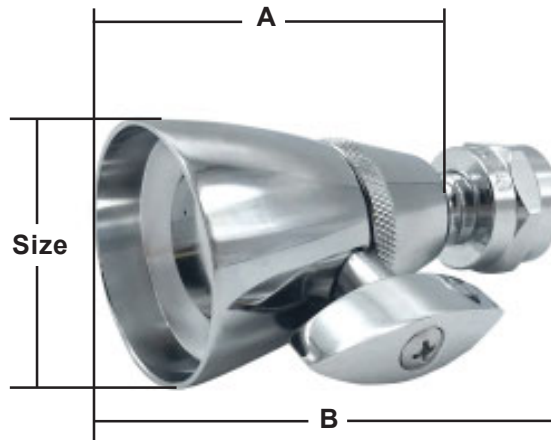
Engineer: _____

Approval: _____

Chrome-Plated Solid Brass Deluxe Shower Head

Design Features:

- Brass Housing
- Chrome Finish
- Ball Joint
- Adjustable Flow
- Individually Boxed
- Imported



Material Specifications	
Part	Material
Housing	CP Brass
Face	CP Brass
Ball	CP Brass
Washers	Rubber
Seals	Rubber
Handle	CP Brass

W-R#	Size	A	B	Flow Rate	Weight	Min	Box
0608018	1-3/4"	2"	3"	2.0 GPM	.576 lbs.	1	10
0608020	2-3/4"	2-1/2"	3-1/2"	2.0 GPM	.877 lbs.	1	10
0608021	3"	3-1/4"	4-1/4"	2.0 GPM	1.93 lbs.	1	6
0608118	1-3/4"	2"	3"	1.5 GPM	.568 lbs.	1	10
0608120	2-3/4"	2-1/2"	3-1/2"	1.5 GPM	.870 lbs.	1	10