



Job Name: _____

Job Location: _____

Contractor: _____

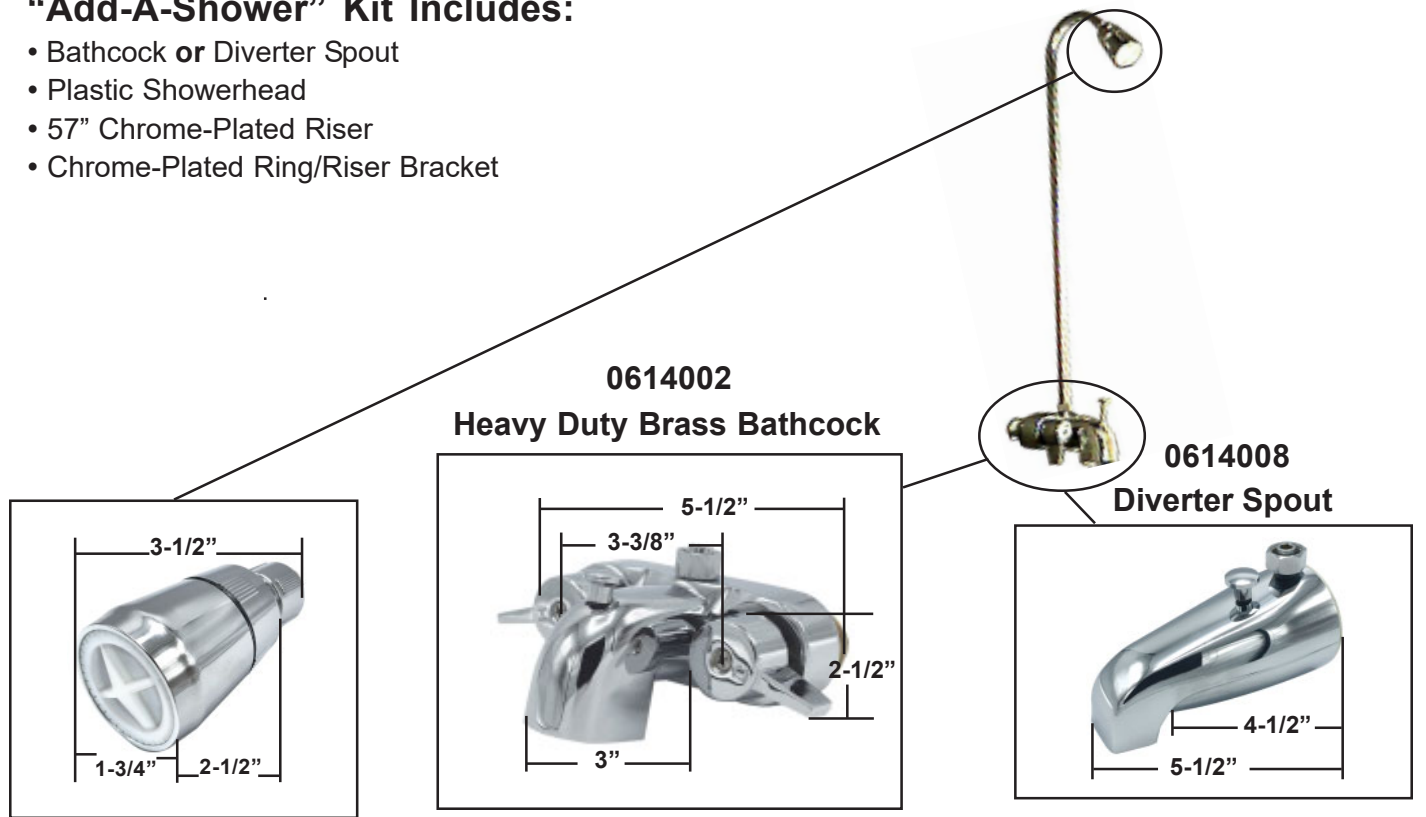
Engineer: _____

Approval: _____

Wal-Rich Standard "Add-A-Shower" - Less Ring -

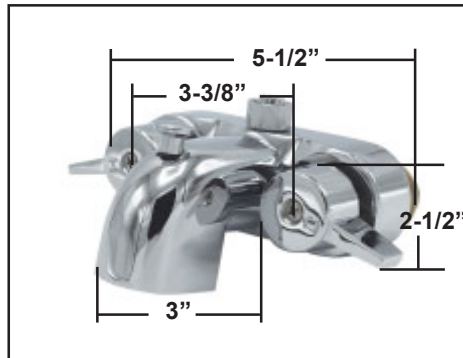
"Add-A-Shower" Kit Includes:

- Bathcock or Diverter Spout
- Plastic Showerhead
- 57" Chrome-Plated Riser
- Chrome-Plated Ring/Riser Bracket



0614002

Heavy Duty Brass Bathcock



0614008

Diverter Spout



Plastic Showerhead	
Part	Material
Housing	CP Plastic
Face	White Plastic
Ball	CP Plastic
Washers	Rubber
Seals	Rubber

Heavy Duty Brass Bathcock	
Part	Material
Body	CP Zinc Die Cast
Handle	CP Zinc Die Cast
Spout	CP Zinc Die Cast
Lock Nuts	BP Zinc Die Cast
Seals	Rubber
Internal Plumbing	Heavy Duty Brass
Diverter Stop	White Plastic

Diverter Spout	
Part	Material
Body	CP Zinc Die Cast
Stopper	White Plastic
Stem	Zinc Die Cast
Seals	Rubber
Face Bushing (1/2" x 3/4")	Black Plastic

W-R#	Description	Weight
0614002	"Add-A-Shower" less ring with Heavy Duty Bath Cock	4.60 lbs.
0614008	"Add-A-Shower" less ring with Diverter Spout	2.76 lbs.



Job Name: _____

Job Location: _____

Contractor: _____

Engineer: _____

Approval: _____

Wal-Rich Standard “Add-A-Shower” -Less Ring- with Bathcock Component List

W-R#	Description	Weight
0614002	“Add-A-Shower” less ring with Heavy Duty Bath Cock	4.60 lbs.
0614005	Bathcock for “Add-A-Shower”	2.45 lbs.
0614020	Riser for “Add-A-Shower”	1.92 lbs.
0608014	CP Streamliner Shower Head	.130 lbs.
0605002	6” Ceiling Support Rod	.056 lbs.
2527002	1/2” x 3/8” Brass Face Bushing	.025 lbs.
0605013	3/4” Loop and Flange Set	.097 lbs.

Wal-Rich Standard “Add-A-Shower” -Less Ring- with Spout Component List

W-R#	Description	Weight
0614008	“Add-A-Shower” less ring with Spout	2.76 lbs.
0614010	Spout for “Add-A-Shower”	.628 lbs.
0614020	Riser for “Add-A-Shower”	1.92 lbs.
0608014	CP Streamliner Shower Head	.130 lbs.
0605002	6” Ceiling Support Rod	.056 lbs.
2527002	1/2” x 3/8” Brass Face Bushing	.025 lbs.
0605013	3/4” Loop and Flange Set	.097 lbs.