



Job Name: _____

Job Location: _____

Contractor: _____

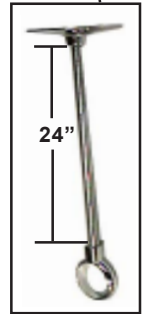
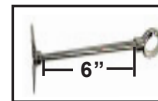
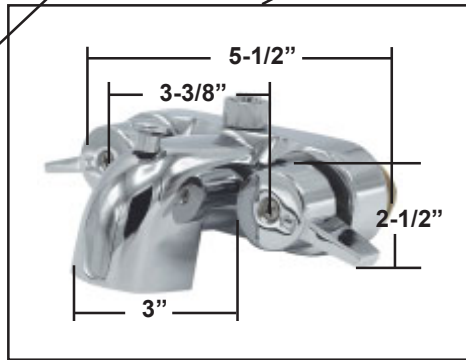
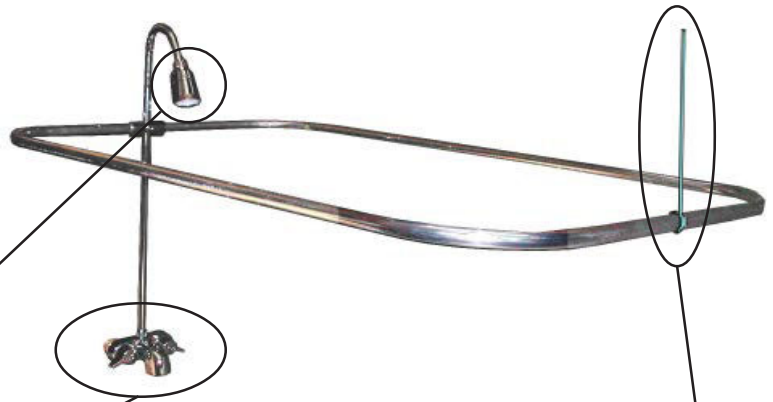
Engineer: _____

Approval: _____

Wal-Rich Standard "Add-A-Shower"

"Add-A-Shower" Kit Includes:

- Heavy Duty Brass Bathcock
- Plastic Showerhead
- 3/4" OD x 6" Complete Ceiling Support Kit
- 3/4" OD x 24" Complete Ceiling Support Kit
- 57" Chrome-Plated Riser
- 3/4" x 24" x 42" Aluminum Ring
- Chrome-Plated Ring/Riser Bracket



Plastic Showerhead	
Part	Material
Housing	CP Plastic
Face	White Plastic
Ball	CP Plastic
Washers	Rubber
Seals	Rubber

Heavy Duty Brass Bathcock	
Part	Material
Body	CP Zinc Die Cast
Handle	CP Zinc Die Cast
Spout	CP Zinc Die Cast
Lock Nuts	BP Zinc Die Cast
Seals	Rubber
Internal Plumbing	Heavy Duty Brass
Diverter Stop	White Plastic

Support Rod Kit Dimensions		
Part	Material	Dimensions
Rod (1)	NP Steel	6" x 1/8"
Rod (1)	NP Steel	24" x 1/8"
Flange (2)	NP Die Cast	2" OD x 1/8" ID
Loop (2)	NP Die Cast	3/4" ID
Screws (4)	CP Steel	3/16" x 1-1/4"

W-R#	Description	Weight
0614004	"Add-A-Shower"	8.21 lbs.



Job Name: _____

Job Location: _____

Contractor: _____

Engineer: _____

Approval: _____

Wal-Rich Standard “Add-A-Shower” Component List

W-R#	Description	Weight
0614004	“Add-A-Shower”	8.21 lbs.
0614005	Bathcock for “Add-A-Shower”	2.45 lbs.
0614020	Riser for “Add-A-Shower”	1.92 lbs.
0608014	CP Streamliner Shower Head	.130 lbs.
0605002	6” Ceiling Support Rod	.056 lbs.
2527002	1/2” x 3/8” Brass Face Bushing	.025 lbs.
A000176	CP Bracket for “Add-A-Shower”	.300 lbs.
A000182	Ring for “Add-A-Shower”	.700 lbs.
A000219	Box for “Add-A-Shower”	2.30 lbs.
0605013	3/4” Loop and Flange Set	.097 lbs.
0605006	24” Ceiling Support Rod	.226 lbs.