



Job Name: _____

Job Location: _____

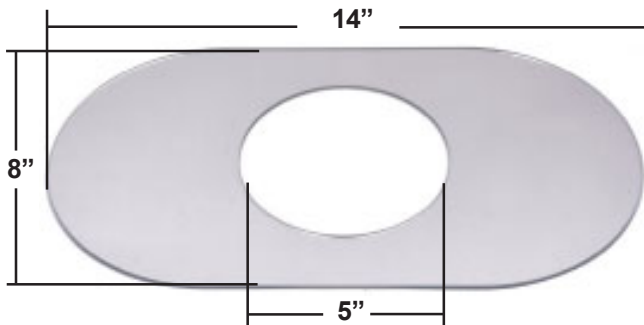
Contractor: _____

Engineer: _____

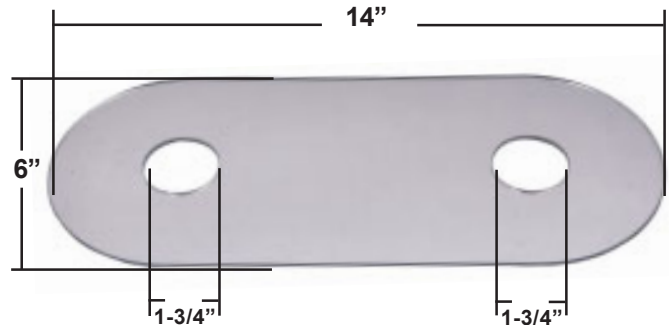
Approval: _____

Acrylic Trim Plates (“Goof” Plates)

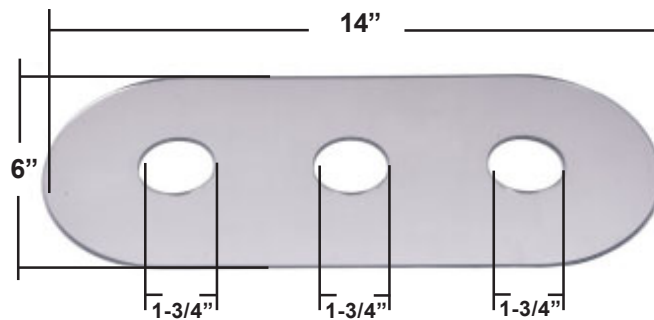
0623502
Single Lever



0623504
Two Handle



0623506
Three Handle



W-R#	Description	Dimensions	Hole Size	Weight
0623502	Single Lever	8" x 14"	5"	.415 lbs.
0623504	Two Handle	6" x 14"	1-3/4"	.342 lbs.
0623506	Three Handle	6" x 14"	1-3/4"	.355 lbs.