



Job Name: \_\_\_\_\_

Job Location: \_\_\_\_\_

Contractor: \_\_\_\_\_

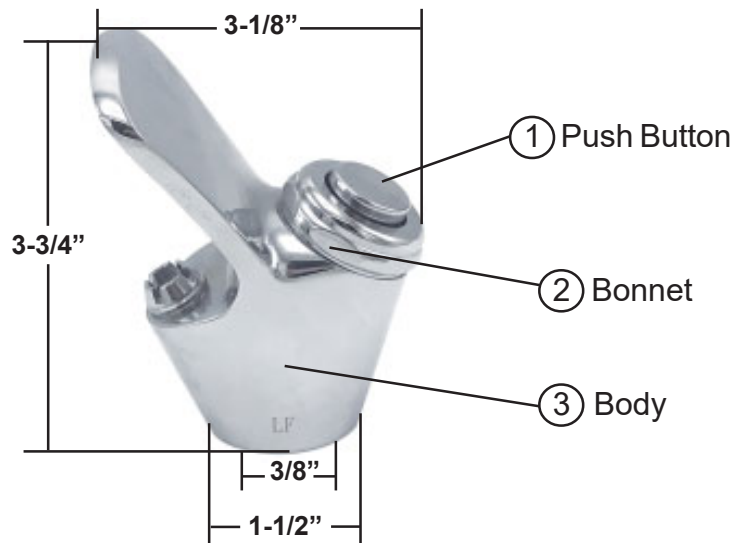
Engineer: \_\_\_\_\_

Approval: \_\_\_\_\_

## CP Brass Bubbler Head with Removable Cartridge

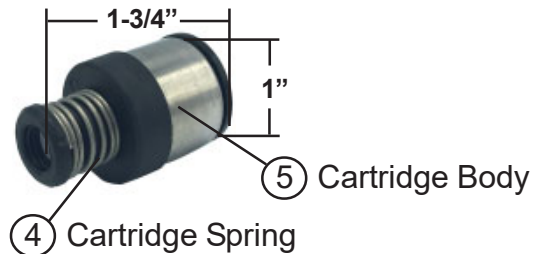
### Design Features:

- Lead Free\*\* Brass Construction
- Chrome-Plated
- Comparable to OEM #0362
- Replaceable Cartridge
- Imported



\*\*The wetted surface of this product contacted by consumable water contains less than one quarter of a percent (.25%) of lead by weight.

Material Specifications		
No.	Part	Material
1	Push Button	CP Die Cast
2	Bonnet	CP Brass
3	Body	CP Brass
4	Cartridge Spring	Steel
5	Cartridge Body	ABS & Metal
	Filter Screen	CP Brass
	Bonnet Bushing	Brass



W-R#	Size	Weight	Comparable to	Min	Box
<b>4708006</b>	3/8" Connection	1.20 lbs.	OEM #0362	1	10
<b>0708010</b>	Cartridge Only	.065 lbs.	OEM #0361	1	12

\*Meets AB1953/NSF61G Standard