



Job Name: _____

Job Location: _____

Contractor: _____

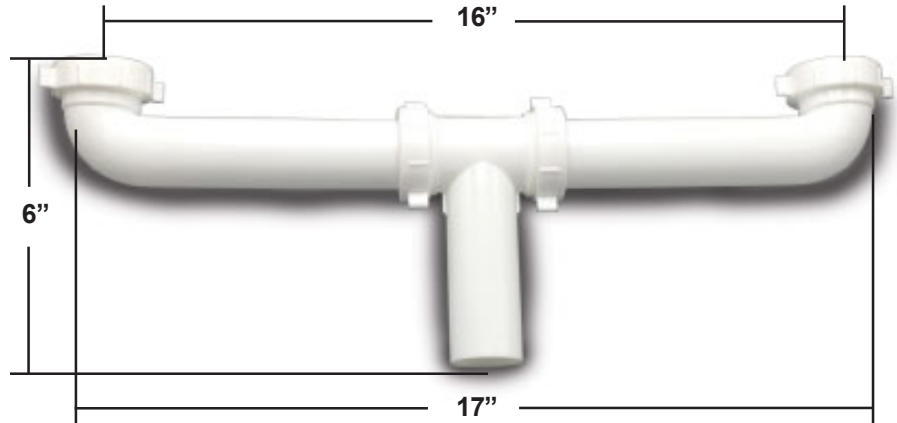
Engineer: _____

Approval: _____

PVC Center-Outlet Waste

Design Features:

- PVC Construction
- Individually Bagged
- Imported



Material Specifications	
Part	Material
Body	Virgin Polyvinyl Chloride
Slipnuts	Virgin Polyvinyl Chloride
Washers	Nylon



ASTM F-409: Standard specification for thermoplastic Accessible and replaceable plastic tube and tubular fittings

W-R#	Size	Weight	Min	Box
------	------	--------	-----	-----

1105006	1-1/2"	.376 lbs.	1	12
---------	--------	-----------	---	----