



Job Name: \_\_\_\_\_

Job Location: \_\_\_\_\_

Contractor: \_\_\_\_\_

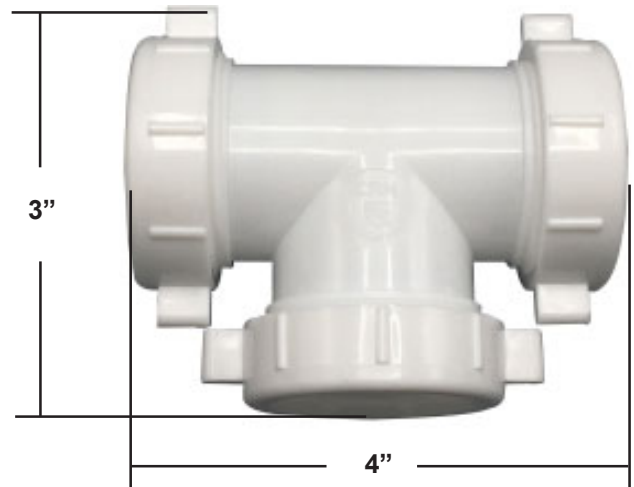
Engineer: \_\_\_\_\_

Approval: \_\_\_\_\_

## PVC Slip Tee

### Design Features:

- PVC Construction
- Individually Bagged
- Imported



Material Specifications	
Part	Material
Body	Virgin Polyvinyl Chloride
Slipnuts	Virgin Polyvinyl Chloride
Washers	Nylon



**ASTM F-409:** Standard specification for thermoplastic accessible and replaceable plastic tube and tubular fittings

W-R#	Size	Weight	Min	Box
------	------	--------	-----	-----

1109008	1-1/2"	.1295 lbs.	1	25
---------	--------	------------	---	----