



Job Name: \_\_\_\_\_

Job Location: \_\_\_\_\_

Contractor: \_\_\_\_\_

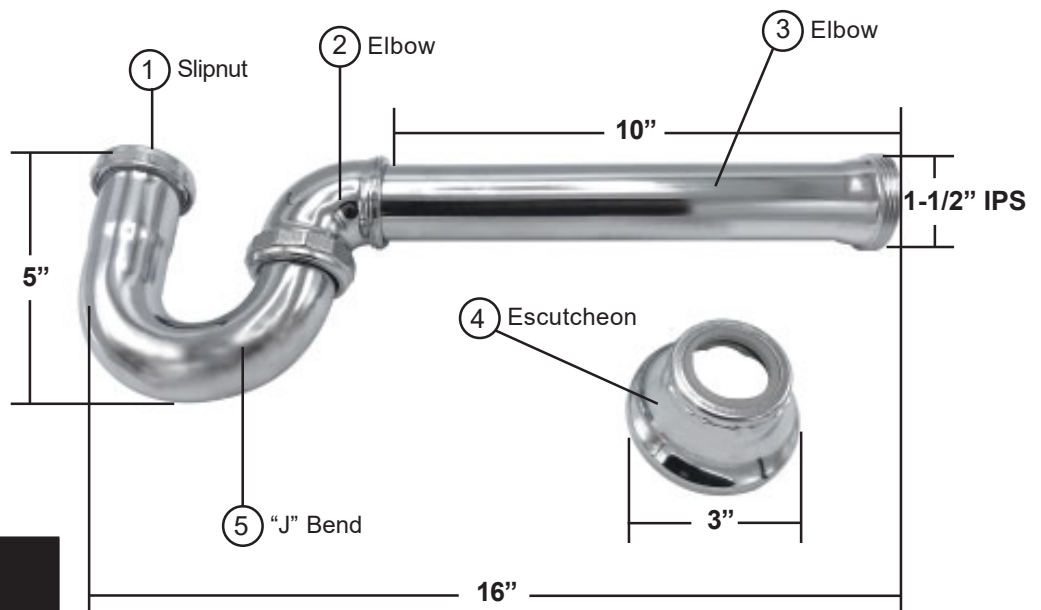
Engineer: \_\_\_\_\_

Approval: \_\_\_\_\_

## Milwaukee Utility Trap - 20 Gauge

### Design Features:

- Brass Construction
- Chrome-Plated
- 20 Gauge
- Less Cleanout
- Individually Boxed
- Imported



Material Specifications		
No.	Part	Material
1	Slipnut	CP Zinc Die Cast
2	Elbow	CP Cast Brass
3	Wall Tube	CP Tubular Brass
4	Escutcheon	CP Steel Bell-type
5	"J" Bend	CP Tubular Brass
	Washers	Rubber

W-R#	Size	Weight
1201004	1-1/2"	1.715 lbs.