



Job Name: \_\_\_\_\_

Job Location: \_\_\_\_\_

Contractor: \_\_\_\_\_

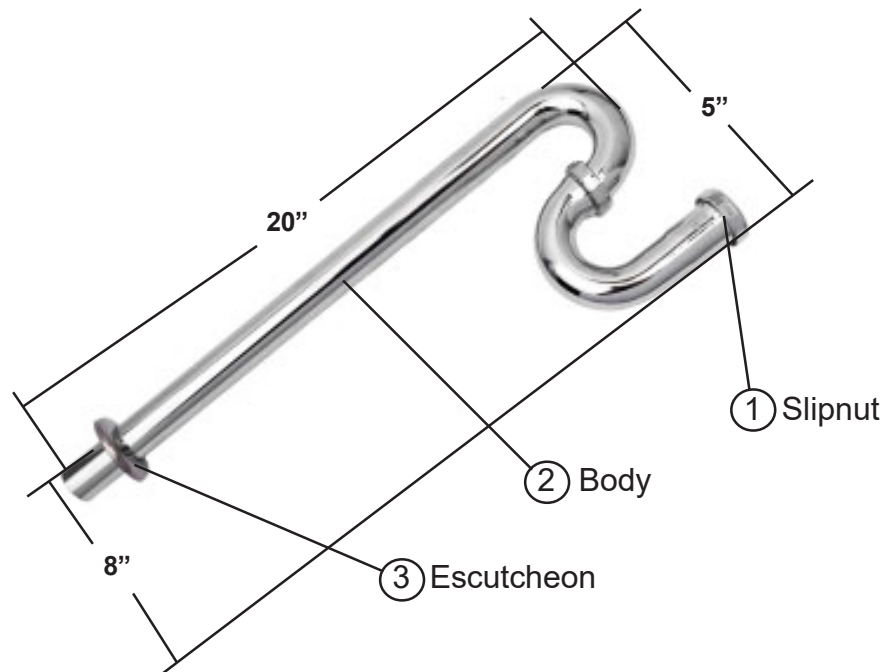
Engineer: \_\_\_\_\_

Approval: \_\_\_\_\_

## Brass Tubular "S" Trap - 22 Gauge

### Design Features:

- Brass Construction
- Chrome-Plated
- 22 Gauge
- Less Cleanout
- Individually Boxed
- Imported



Material Specifications		
No.	Part	Material
1	Slipnut	CP Zinc Die Cast
2	Body	CP Tubular Brass
3	Escutcheon	CP Steel
	Washer	Rubber

W-R#	Size	Weight
1203002	1-1/4"	1.195 lbs.
1203010	1-1/2"	1.535 lbs.