



Job Name: \_\_\_\_\_

Job Location: \_\_\_\_\_

Contractor: \_\_\_\_\_

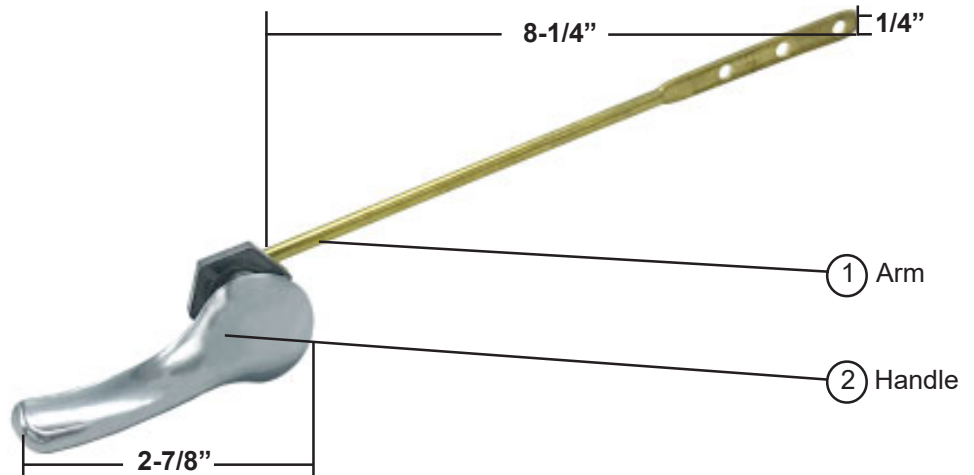
Engineer: \_\_\_\_\_

Approval: \_\_\_\_\_

# Chrome-Plated Index Brass Arm Tank Lever

## Design Features:

- Chrome-Plated Handle
- 8-1/4" Round Brass Arm
- Individually Boxed
- Domestic



Material Specifications		
No.	Part	Material
1	Arm	Brass
2	Handle	CP Cast Zinc
	Spud	Cast Zinc
	Spud Nut	Cast Zinc

W-R#	Description	Weight*	Min	Box
1318000	Domestic - Boxed	.270 lbs.	1	100

\*Weight Includes Box