



Job Name: _____

Job Location: _____

Contractor: _____

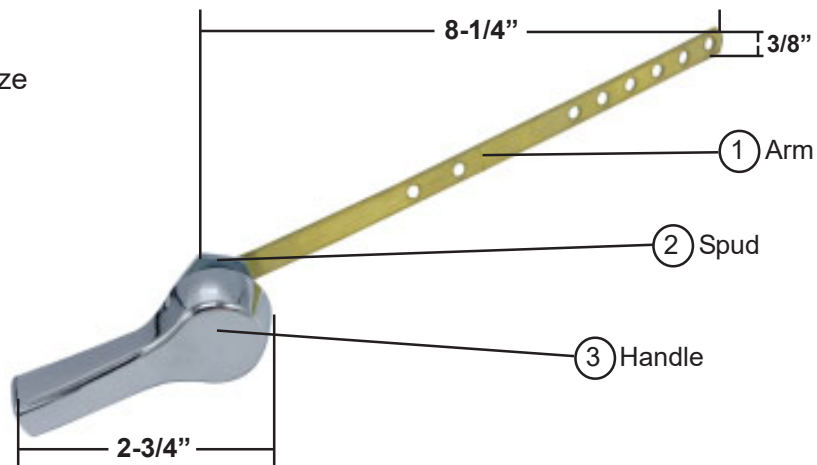
Engineer: _____

Approval: _____

Chrome-Plated "Crown" Tank Lever - Domestic

Design Features:

- Chrome-Plated Handle
- Nickel Plated Spud
- 8-1/4" Flat Brass Arm
- Arm has Score Line for Easy Trimming to American Standard Size
- Individually Boxed
- Domestic



Material Specifications		
No.	Part	Material
1	Arm	Brass
2	Spud	NP Cast Zinc
3	Spud Nut	Cast Zinc
4	Handle	CP Cast Zinc

W-R#	Description	Weight*	Min	Box
------	-------------	---------	-----	-----

1318002	Domestic - Boxed	.320 lbs.	1	100
---------	------------------	-----------	---	-----

*Weight Includes Box