



Job Name: _____

Job Location: _____

Contractor: _____

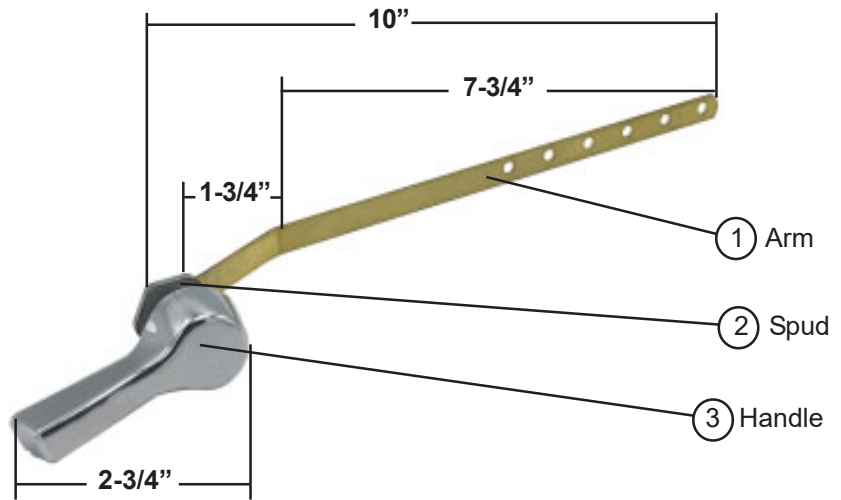
Engineer: _____

Approval: _____

Chrome-Plated Offset "Crown" Tank Lever

Design Features:

- Chrome-Plated Handle
- Offset Flat Brass Arm
- Individually Bagged
- Imported



Material Specifications		
No.	Part	Material
1	Arm	Brass
2	Spud	Cast Zinc
3	Handle	CP Cast Zinc
	Spud Nut	Cast Zinc

W-R#	Description	Weight	Min	Box
1318015	Offset	.265 lbs.	1	25