



Job Name: _____

Job Location: _____

Contractor: _____

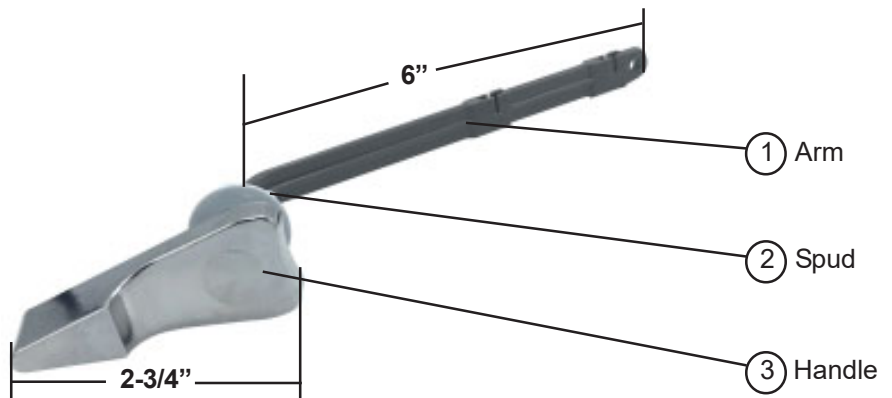
Engineer: _____

Approval: _____

6" 28° Angle Tank Lever to fit American Standard

Design Features:

- Chrome-Plated Handle
- 6" ABS Arm
- 28° Angle
- Individually Bagged
- Imported



Material Specifications		
No.	Part	Material
1	Arm	GreyABS
2	Spud	ABS
3	Handle	Chrome ABS
	Spud Nut	ABS

W-R#	Size	Weight	Min	Box
1318052	6" (28°)	.070 lbs.	1	25