



Job Name: _____

Job Location: _____

Contractor: _____

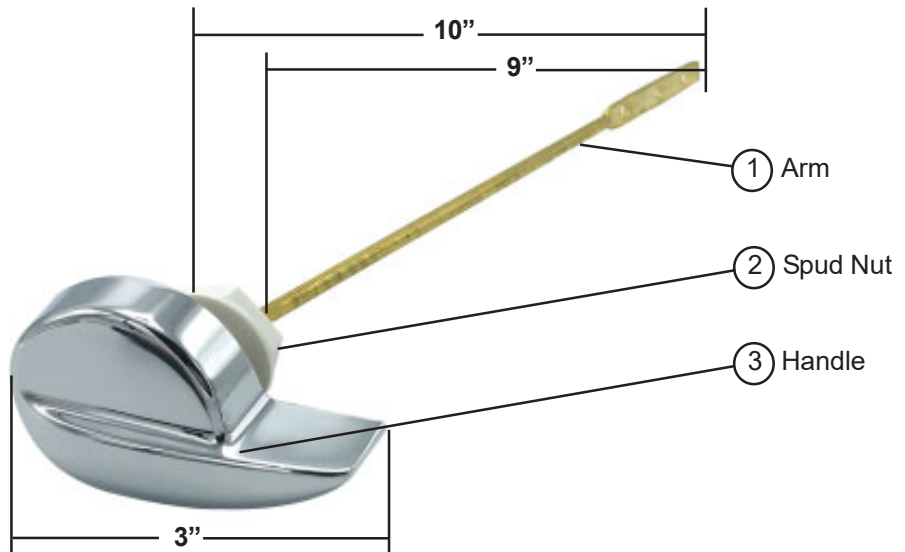
Engineer: _____

Approval: _____

CP Tank Lever to fit TOTO "Ultimate"

Design Features:

- Chrome-Plated Handle
- 10" Round Brass Arm
- Side Mount Design
- Fits THU-004 "Ultimate"
- Individually Bagged
- Imported



Material Specifications		
No.	Part	Material
1	Arm	Brass
2	Spud Nut	ABS
3	Handle	CP Cast Zinc
	Spud	ABS

W-R#	Description	Weight	Min	Box
1318070	Fits THU-004 "Ultimate"	.202 lbs.	1	24