



Job Name: _____

Job Location: _____

Contractor: _____

Engineer: _____

Approval: _____

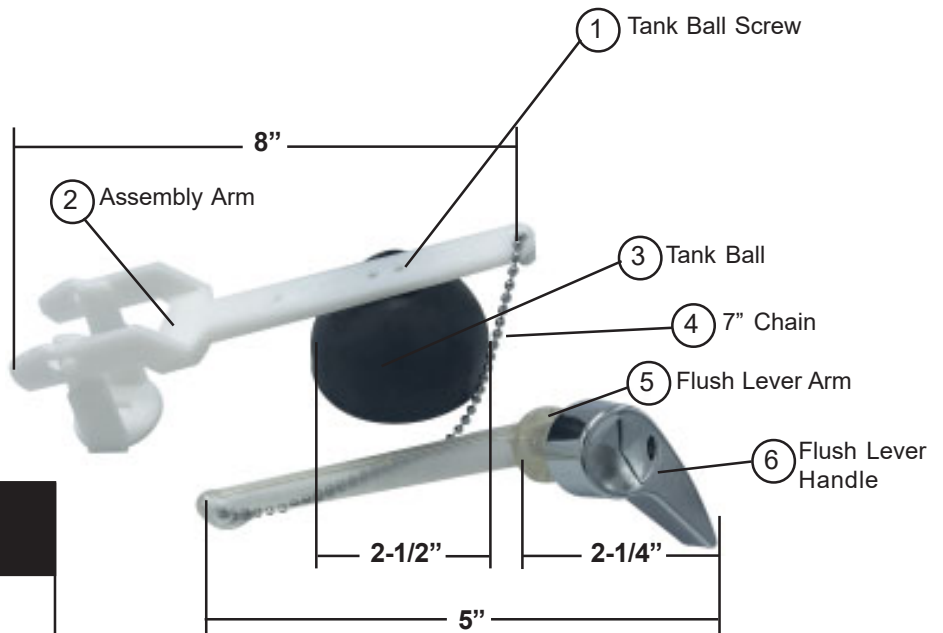
“Touch-Flush” Kit to Fit Eljer

Design Features:

- Individually Bagged
- Imported

Kit Includes:

- Flush Lever (1)
- Tank Ball (1)
- Mounting Hardware
- Assembly Arm (1)
- Washers (2)
- Tank Ball Screw (1)
- 7” Chain (1)



Material Specifications		
No.	Part	Material
1	Tank Ball Screw	BP Die Cast
2	Assembly Arm	White Plastic
3	Tank Ball	Black Rubber
4	7” Chain	Metal Beads
5	Flush Lever Arm	Clear Plastic
6	Flush Lever Handle	Chrome Plastic
	Washers	Rubber

W-R#	Description	Weight	Min	Box
1331020	Touch-Flush-Kit	.220 lbs.	1	50