



Job Name: _____

Job Location: _____

Contractor: _____

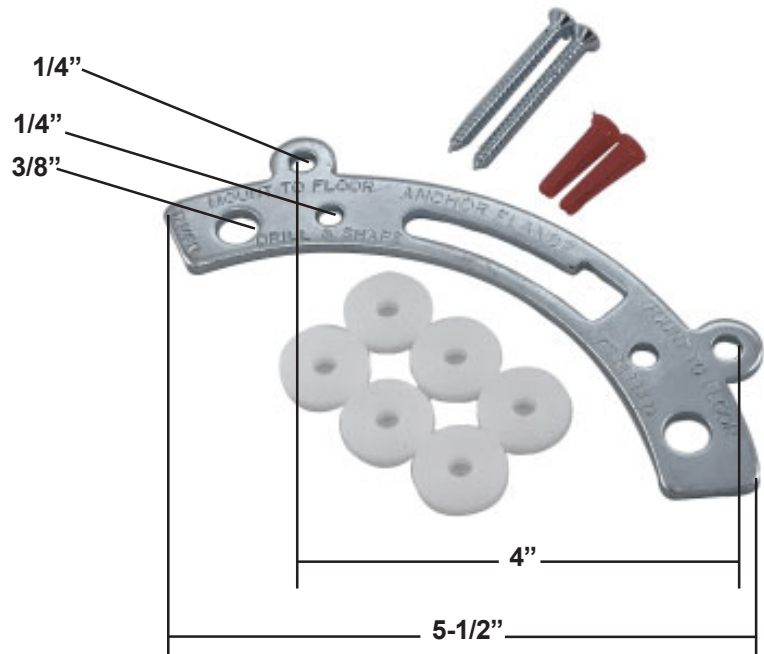
Engineer: _____

Approval: _____

Toilet Flange Repair Kits

Kit Includes:

- Anchor Flange (1)
- 1/8" Thick
- 1/8" x 1-3/4" Screws (2)
- 1/8" Washers (6)
- 1/8" Anchors (2)



Material Specifications	
Part	Material
Anchor Flange	Steel
Screws	Steel
Washers	White Plastic
Anchors	Red Plastic

W-R#	Description	Weight	Min	Box
1353600	Repair Kit	.175 lbs.	1	24