



Job Name: _____

Job Location: _____

Contractor: _____

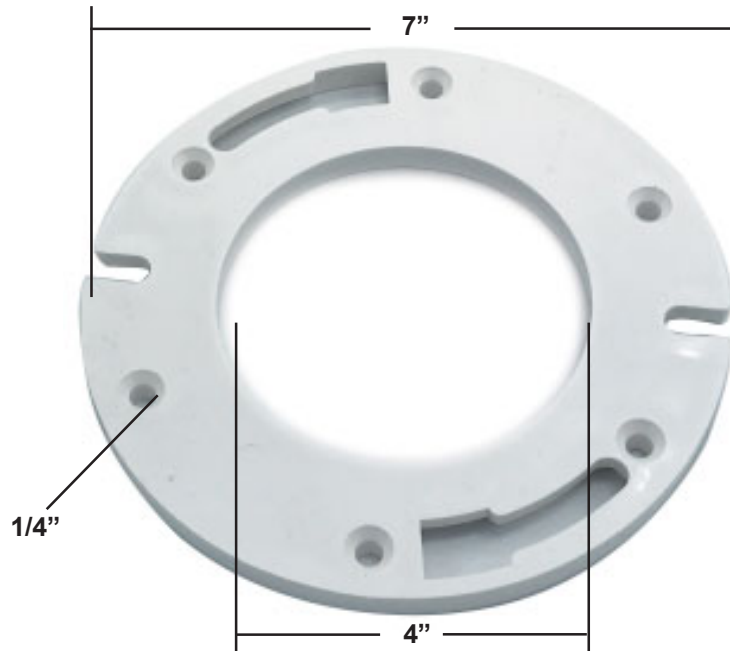
Engineer: _____

Approval: _____

1/2" Stackable Closet Flange Extender

Design Features:

- PVC Construction
- Imported



Material Specifications and Dimensions		
Part	Material	Dimensions
Closet Flange Extender	Polyvinyl Chloride	7" OD x 4" ID x 1/2" Thick

W-R#	Description	Weight	Min	Box
1353604	1/2" Thick	.351 lbs.	1	12