



Job Name: _____

Job Location: _____

Contractor: _____

Engineer: _____

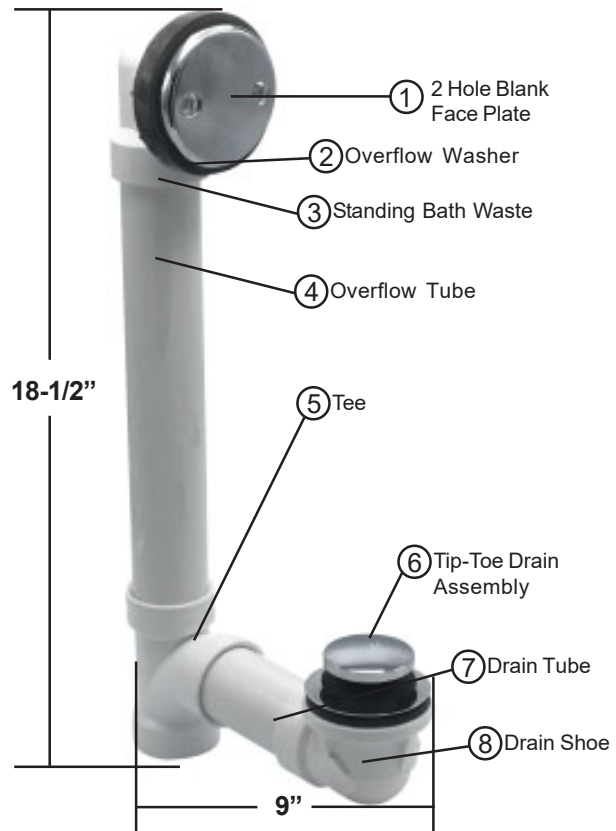
Approval: _____

Schedule 40 PVC Trip Waste Assembly

Design Features:

- PVC Construction
- Individually Boxed
- Imported

Material Specifications		
No.	Part	Material
1	2 Hole Blank	CP Zinc Die-Cast
2	Overflow Washer Face Plate	Sponge Washer
3	Standing Bath Waste	Sch 40 PVC
4	Overflow Tube	Sch 40 PVC
5	Tee	PVC
6	Tip-Toe Drain Assembly	CP Brass, Rubber & CP Plastic
7	Drain Tube	PVC
8	Drain Shoe	PVC



W-R#	Size	Finish	Weight
1404502	1-1/2"		2.36 lbs.
0626006	2 Hole Blank Face Plate Only	Chrome-Plated	.115 lbs.
1407620	Tip-Toe Drain Assembly Only	Chrome-Plated	.378 lbs.
2716001	Overflow Washer Only	Sponge Rubber	.040 lbs.

Warning DO NOT use oil base sealer. May cause drain to break or distort.