



Job Name: _____

Job Location: _____

Contractor: _____

Engineer: _____

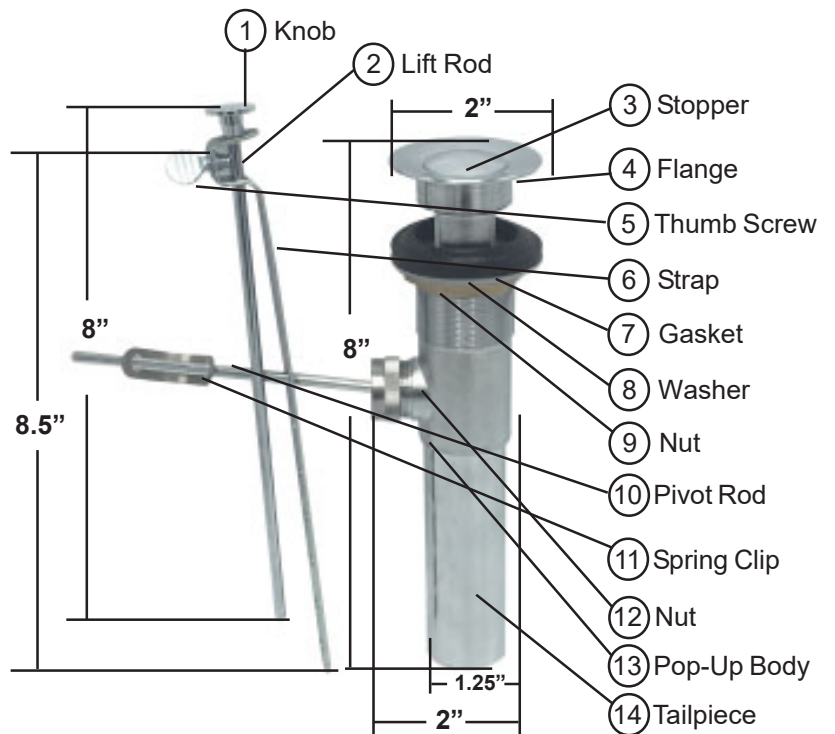
Approval: _____

Brass Pop-Up Waste Assembly

Design Features:

- Includes Lift Rod
- Individually Boxed
- Available in Polished Brass and Chrome Finish
- Imported

Material Specifications		
No.	Part	Material
1	Knob	Brass
2	Lift Rod	Brass
3	Stopper	Brass
4	Flange	Brass
5	Thumb Screw	Cold Rolled Steel
6	Strap	Cold Rolled Steel
7	Gasket	Rubber
8	Washer	PE
9	Nut	Brass
10	Pivot Rod	Brass
11	Spring Clip	Stainless Steel
12	Nut	Brass
13	Pop-Up Body	Brass
14	Tailpiece	Brass
	O-Ring	Rubber
	Plunger	POM
	Ball	POM
	Pivot	Nylon
	Nut	POM



W-R#	Description	Weight	Min	Box
1405002	Chrome	.965 lbs.	1	25
1405003	Polished Brass	1.03 lbs.	1	25