



Job Name: \_\_\_\_\_

Job Location: \_\_\_\_\_

Contractor: \_\_\_\_\_

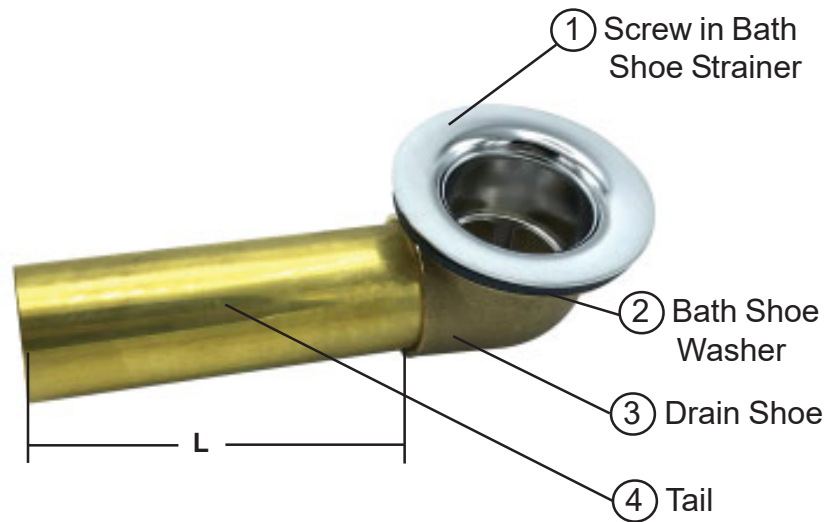
Engineer: \_\_\_\_\_

Approval: \_\_\_\_\_

## Bath Shoe for Waste and Overflow

### Design Features:

- Brass Construction
- Imported



Material Specifications		
No.	Part	Material
1	Screw in Bath Shoe Strainer	Stainless Steel
2	Bath Shoe Washer	Black Rubber
3	Drain Shoe	Cast Brass
4	Tail	Tubular Brass

W-R#	Size	L	Weight
<b>1407002</b>	1-3/8" OD [22 Gauge]	6"	.660 lbs
<b>1407004</b>	1-1/2" OD [22 Gauge]	4"	.625 lbs.
<b>1407008</b>	1-1/2" OD [22 Gauge]	18"	1.26 lbs.
<b>1407006</b>	Screw in Bath Shoe Strainer Only	1-1/2" D x 1" H [16 TPI]	.084 lbs.
<b>2716000</b>	Bath Shoe Washer Only	1-5/8" ID x 2-5/8" OD	.014 lbs.