



Job Name: \_\_\_\_\_

Job Location: \_\_\_\_\_

Contractor: \_\_\_\_\_

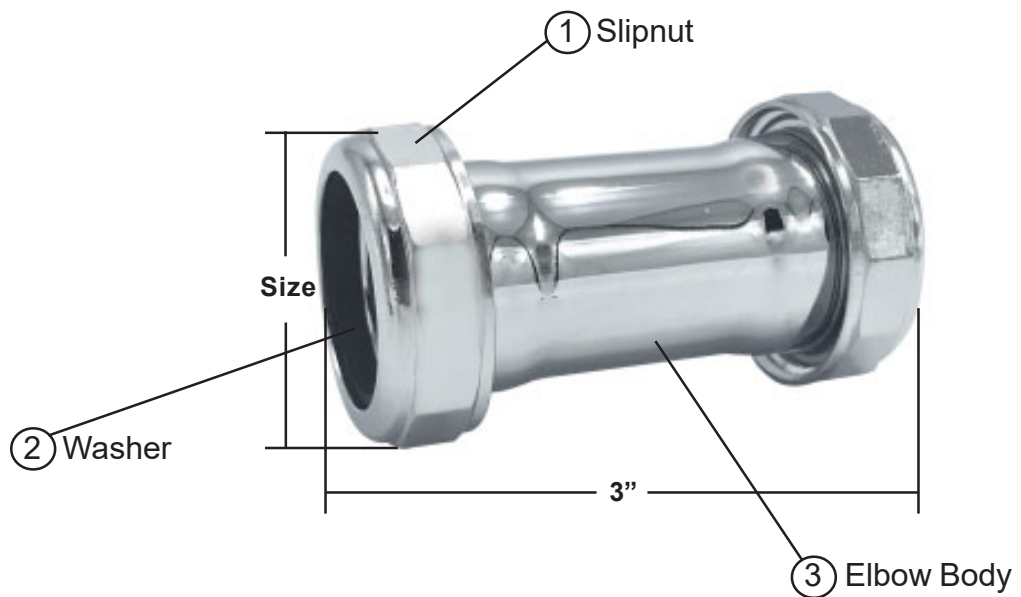
Engineer: \_\_\_\_\_

Approval: \_\_\_\_\_

## Double Slip Coupling

### Design Features:

- Brass Construction
- Chrome-Plated
- Imported



Material Specifications		
No.	Part	Material
1	Slipnut	CP Zinc Die Cast
2	Washer	Rubber
3	Coupling Body	CP Tubular Brass

W-R#	Size	Finish	Weight	Min	Box
1501002	1-1/4"	Chrome-Plated	.220 lbs.	1	6
1501004	1-1/2"	Chrome-Plated	.290 lbs.	1	6